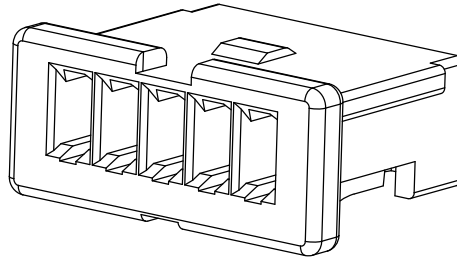
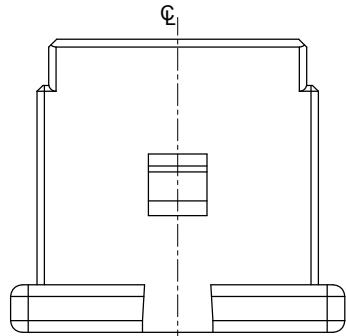


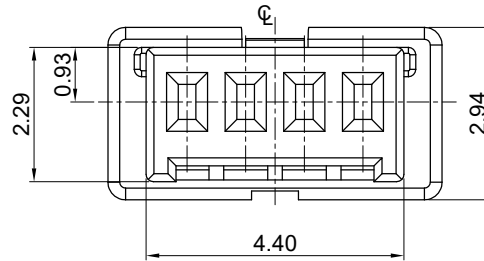
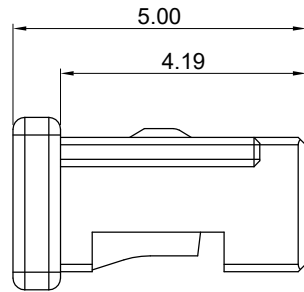
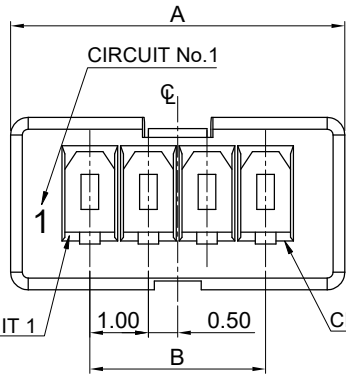
RoHS

This products can apply to the SWB Doc NO. QA-3-04-005 of Environmental&Material Management Rules



■ Specifications :

- Voltage rating: 100V AC / DC
- Current rating: 1A Max. AC / DC
- Withstanding voltage: 300V AC/minute
- Temperature range: -40°C~+105°C
- Insulation resistance: ≥100MΩ
- Contact resistance: ≤20mΩ
- After environmental testing: ≤40mΩ
- Mates With SWB Terminal: 1004T



1004 H - XX A - N0 HF NC
 ① ② ③ ④ ⑤ ⑥ ⑦

- ① Series No.
- ② Category: H-Housing
- ③ Row No.-Pin No: XX-02-15Pin
- ④ Special code: A-Inner Lock
- ⑤ Plastic material: N0- PA66 UL94V-0
- ⑥ HF-Halogen Free
- ⑦ Color: NC-Natural

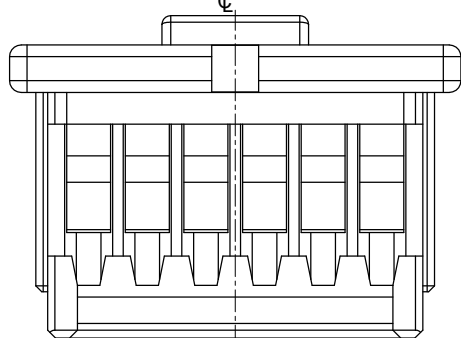
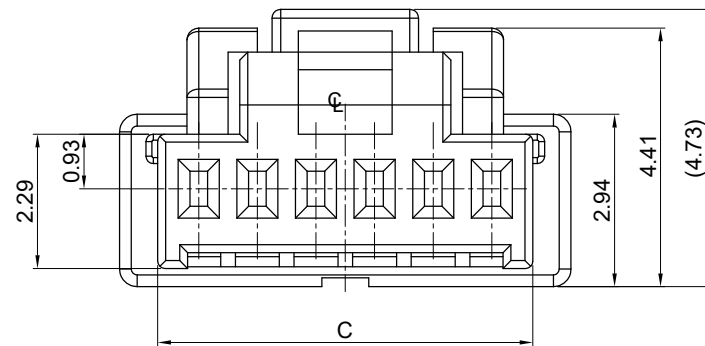
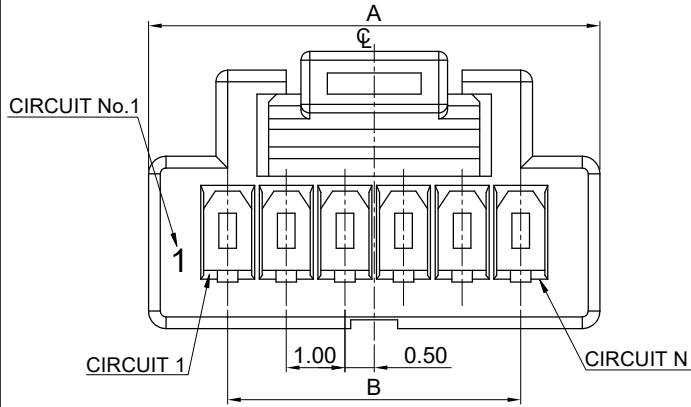
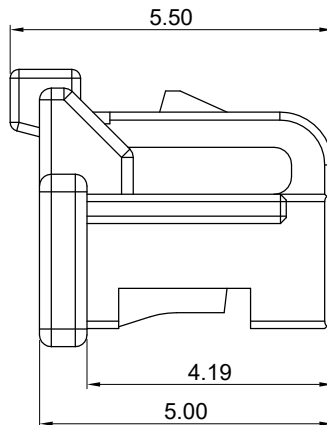
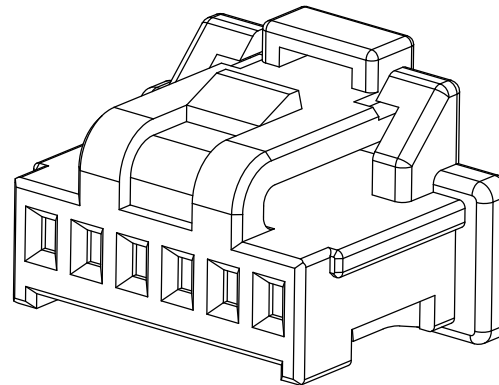
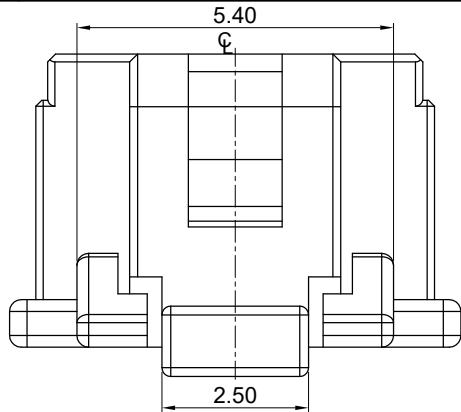
Poles	Dimensions (mm)		
	A	B	C
2	3.70	1.00	2.40
3	4.70	2.00	3.40
4	5.70	3.00	4.40
5	6.70	4.00	5.40



					GENERAL TOLERANCE .X ±0.35 .XX ±0.25 .XXX ±0.15 X.° ±2°				东莞市思索连接器有限公司 SWB CONNECTORS CO.,LTD				PART NO. 1004H-XXA-N0HFNC										
					APPROVAL ROBING				CHECK ROBING				DRAWN BIN				DATE 2021/04/02						
					PROJECT 				TITLE 1.00mm Crimp Style Connectors														
DATE	REV	ECN NO	DESCRIPTION	MODIFY	APPROVAL						UNIT	SCALE	SHEET	REV	NUMBER								
1		2	3	4	5						mm	8:1	1/2	A0	A-082								

RoHS

This products can apply to the SWB Doc NO. QA-3-04-005 of Environmental&Material Management Rules



Poles	Dimensions (mm)			Poles	Dimensions (mm)		
	A	B	C		A	B	C
6	7.70	5.00	6.40	11	12.70	10.00	11.40
7	8.70	6.00	7.40	12	13.70	11.00	12.40
8	9.70	7.00	8.40	13	14.70	12.00	13.40
9	10.70	8.00	9.40	14	15.70	13.00	14.40
10	11.70	9.00	10.40	15	16.70	14.00	15.40

DATE	REV	ECN NO	DESCRIPTION	MODIFY	APPROVAL	PROJECT	APPROVAL	CHECK	DRAWN	DATE	PART NO. 1004H-XXA-N0HFNC				
						GENERAL TOLERANCE					TITLE 1.00mm Crimp Style Connectors				
						.X ±0.35					UNIT	SCALE	SHEET	REV	NUMBER
						.XX ±0.25					mm	8:1	2/2	A0	A-082
						.XXX ±0.15									
						X.° ±2°									



东莞市思索连接器有限公司
SWB CONNECTORS CO.,LTD

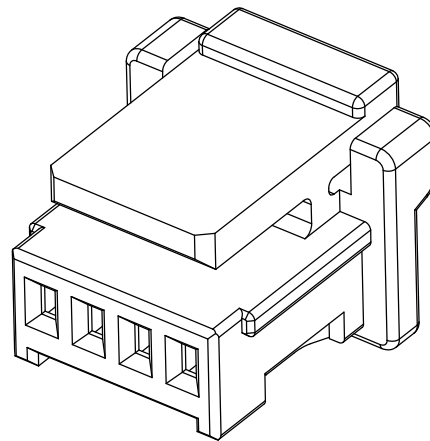
PART NO. 1004H-XXA-N0HFNC

TITLE 1.00mm Crimp Style Connectors

UNIT: mm, SCALE: 8:1, SHEET: 2/2, REV: A0, NUMBER: A-082

RoHS

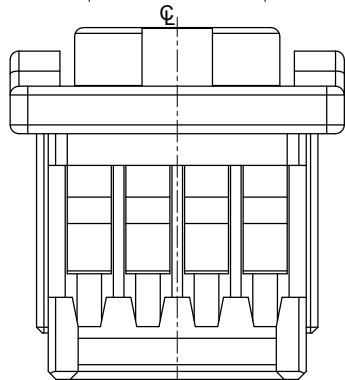
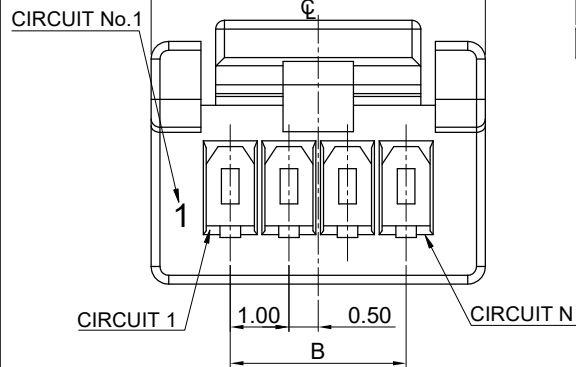
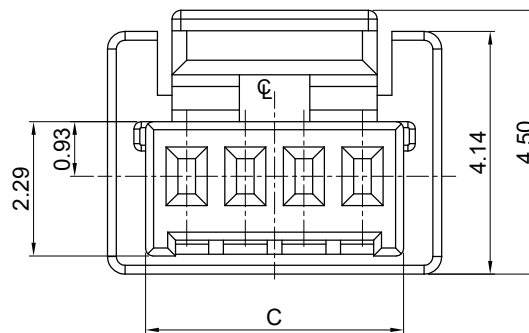
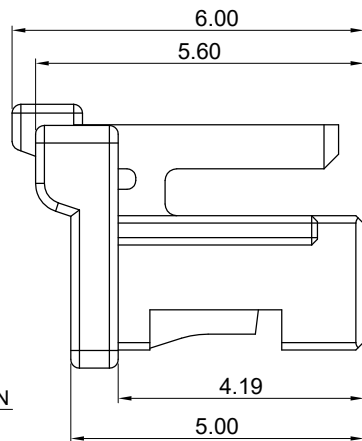
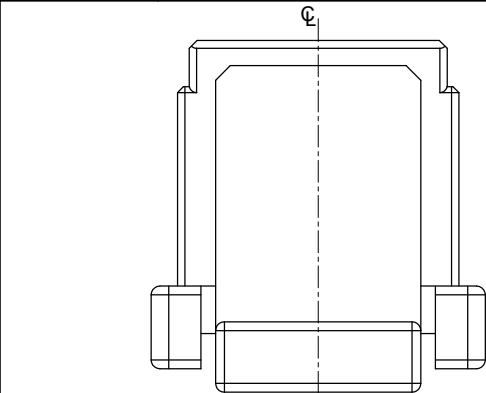
This products can apply to the SWB Doc NO. QA-3-04-005 of Environmental&Material Management Rules



- Specifications :
- Voltage rating: 100V AC / DC
 - Current rating: 1A Max. AC / DC
 - Withstanding voltage: 300V AC/minute
 - Temperature range: -40°C~+105°C
 - Insulation resistance: ≥100MΩ
 - Contact resistance: ≤20mΩ
 - After environmental testing: ≤40mΩ
 - Mates With SWB Terminal: 1004T

1004 H - XX B - N0 HF NC
 ① ② ③ ④ ⑤ ⑥ ⑦

- ① Series No.
- ② Category: H-Housing
- ③ Row No.-Pin No: XX-02-15Pin
- ④ Special code: B-Outer Lock
- ⑤ Plastic material: N0- PA66 UL94V-0
- ⑥ HF-Halogen Free
- ⑦ Color: NC-Natural



Poles	Dimensions (mm)		
	A	B	C
3	4.70	2.00	3.40
4	5.70	3.00	4.40
5	6.70	4.00	5.40



GENERAL TOLERANCE

- .X ±0.35
- .XX ±0.25
- .XXX ±0.15
- X.° ±2°

PROJECT



东莞市思索连接器有限公司
 SWB CONNECTORS CO.,LTD

PART NO.
 1004H-XXB-N0HFNC

TITLE
 1.00mm Crimp Style Connectors

APPROVAL CHECK DRAWN DATE

ROBING ROBING BIN 2021/04/02

UNIT	SCALE	SHEET	REV	NUMBER
mm	8:1	1/1	A	A-000

DATE	REV	ECN NO	DESCRIPTION	MODIFY	APPROVAL
1		2	3	4	5

1 2 3 4 5 6 7 8

RoHS

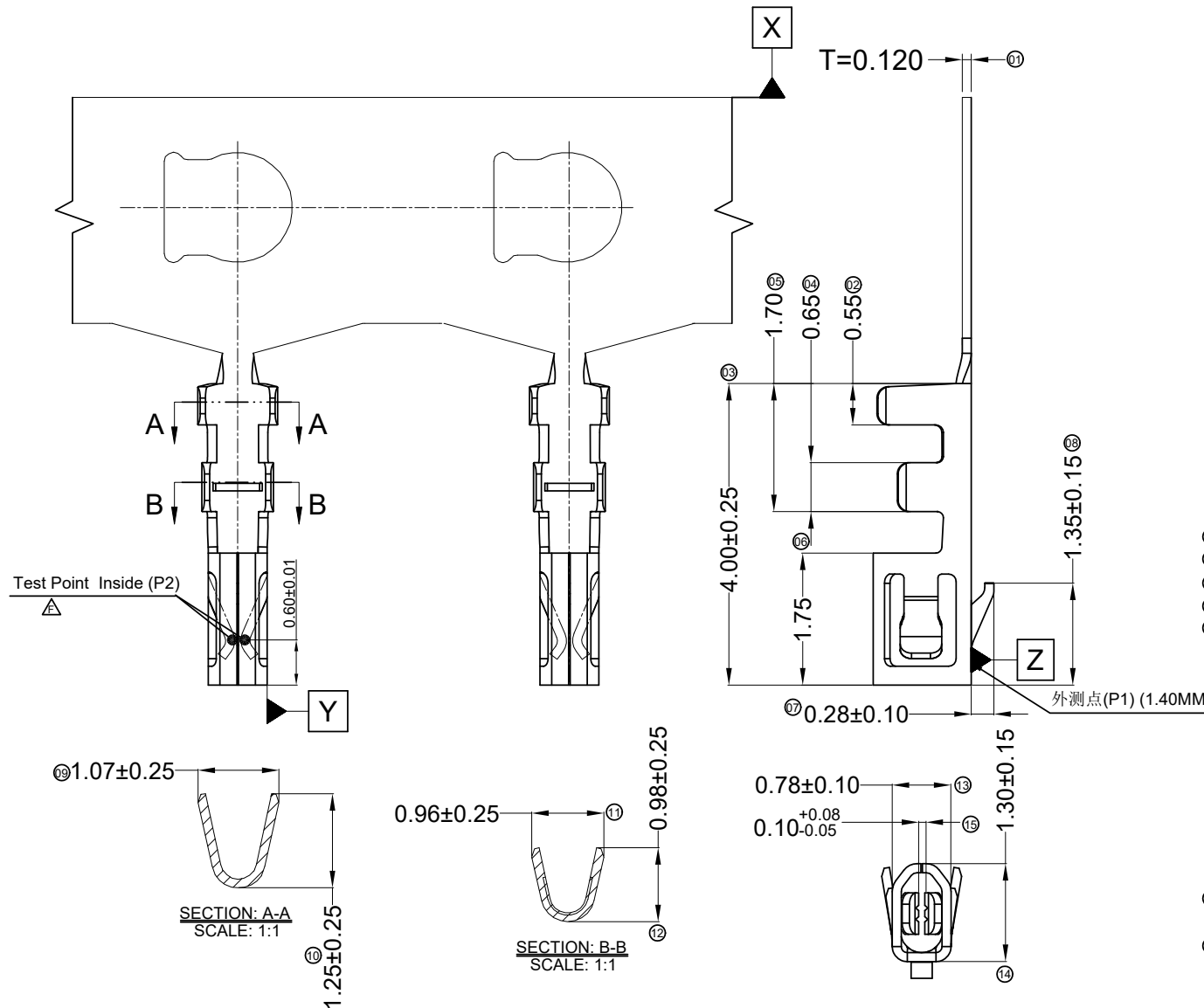
This products can apply to the SWB Doc NO. QA-3-04-005 of Environmental&Material Management Rules

Specifications :

- Voltage rating: 50V AC / DC
- Current rating: 1A AC / DC
- Withstanding voltage: 250V AC/minute
- Temperature range: -25°C~+85°C
- Insulation resistance: ≥100MΩ
- Contact resistance: ≤20mΩ
- After environmental testing: ≤40mΩ
- Wire Range: AWG#28~32
- Insulation O.D: 0.80mm(Max)
- Mates With SWB Housing: 1004H

1004 T X-P XXX X- X
 ① ② ③ ④ ⑤ ⑥ ⑦

- ① Series Number
 ② Category: T-terminal
 ③ Shape: Blank-ordinary
 ④ Material: P-Phosphor bronze
 ⑤ Plating code:
 SN-Bright Tin Plating 100u" Min.; Nickel 50u" Min
 V01-Contact Area Gold flash. Other Area: Gold flash
 Ni: 50u" Min.
 V05-Contact Area Gold flash. Other Area: Gold flash
 Ni: 50u" Min.
 V04-Contact Area Gold 4u" Min. Other Area: Gold flash
 Ni: 50u" Min.
 V15-Contact Area Gold 15u" Min. Other Area Gold flash.
 Ni: 50u" Min.
 V30-Contact Area Gold 30u" Min. Other Area Gold flash.
 Ni: 50u" Min.
 ⑥ Plating method:
 Blank-Stamping before plating B-Plating before stamping
 ⑦ Special No.: C-Two ran two plating (Test Point: P2)
 Blank-One ran one plating (Test Point: P1)



					GENERAL TOLERANCE				PART NO. 1004T-PXXXX-X	
					.X ±0.30				TITLE 1.00mm Crimp Style Connectors	
					.XX ±0.20					
					.XXX ±0.10				UNIT SCALE SHEET REV NUMBER	
					X° ±2°					
					PROJECT				APPROVAL CHECK DRAWN DATE	
					PROJECT					
21-07-05	F	EN20210825002	Change The measuring point of film thickness is internal	Mali	Joshua	APPROVAL		Wuxiaotao	2016/04/29	
DATE	REV	ECN No.	DESCRIPTION	MODIFY	APPROVAL					A-000

东莞市思索连接器有限公司
 SWB CONNECTORS CO.,LTD

RoHS

This products can apply to the SWB Doc NO. QA-3-04-005 of Environmental&Material Management Rules

Specifications :

- Voltage rating: 100V AC / DC
- Current rating: 1A Max. AC / DC
- Withstanding voltage: 300V AC/minute
- Temperature range: -40°C~+105°C
- Insulation resistance: ≥100MΩ
- Contact resistance: ≤20mΩ
- After environmental testing: ≤40mΩ
- Material(Pin): Phosphor bronze
- Mates With SWB Housing: 1004H

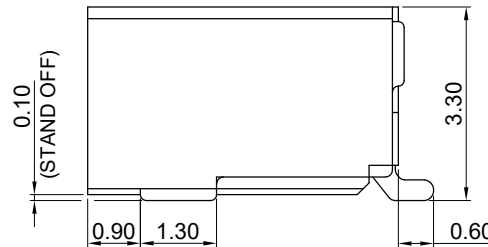
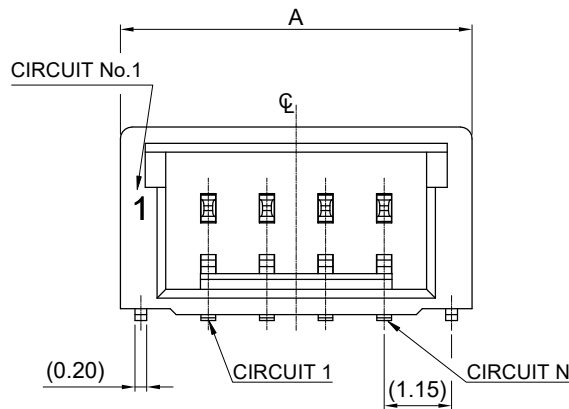
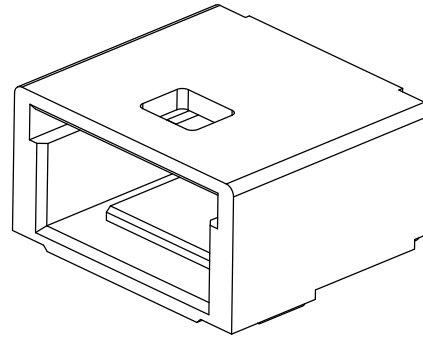
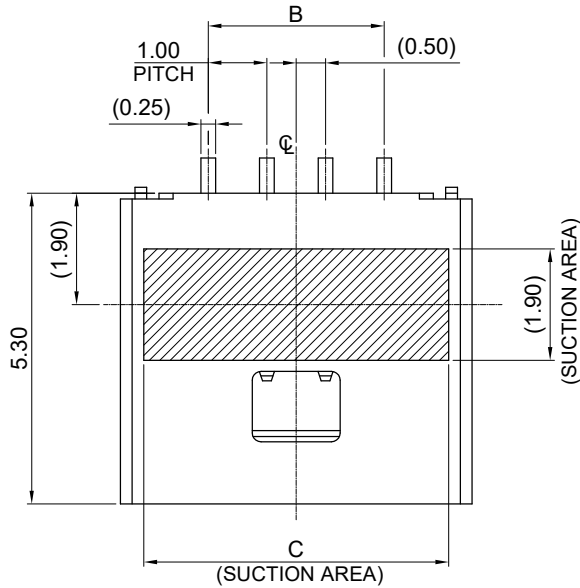
1004 W R S - XX A HF - 4T XXX E R
 ① ② ③ ④ ⑤ ⑥ ⑦ ⑧ ⑨ ⑩ ⑪

- ① Series No.
- ② Category: W-wafer
- ③ Connector Type: R-Right Angle 90°
- ④ Mouting Type: S-SMT
- ⑤ Row No.-Pin No: XX-02-15Pin
- ⑥ Special code: A-Inner Lock
- ⑦ HF-Halogen Free
- ⑧ Plastic material: 4T- PA4T UL94V-0
- ⑨ Plating Code:

SW1-Matte Tin plating 100u" Min. overall,
 Ni50u" Min. under plating.
 V01-G/F plating overall, Ni50u" Min. under plating.
 V15-Au15u" Min. plating on contact area,
 G/F plating on solder area,
 Ni50u" Min. under plating.
 V30-Au30u" Min. plating on contact area,
 G/F plating on solder area,
 Ni50u" Min. under plating.

- ⑩ Color: E-Becky color
- ⑪ Packing: R-Reel

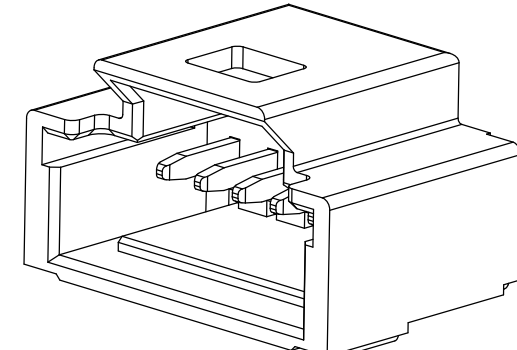
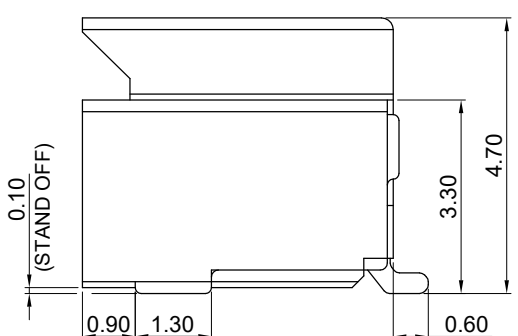
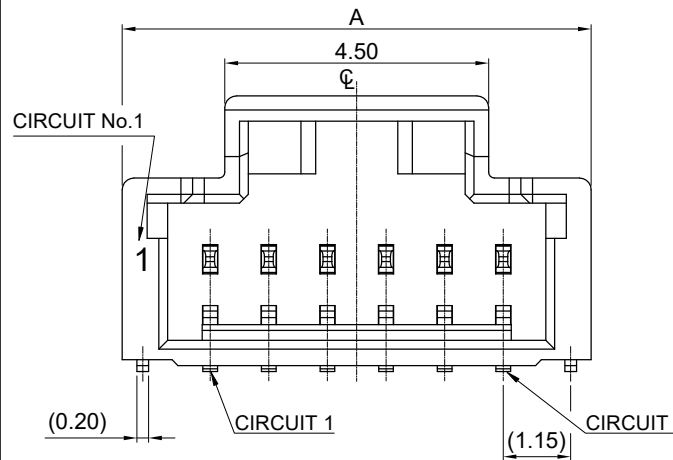
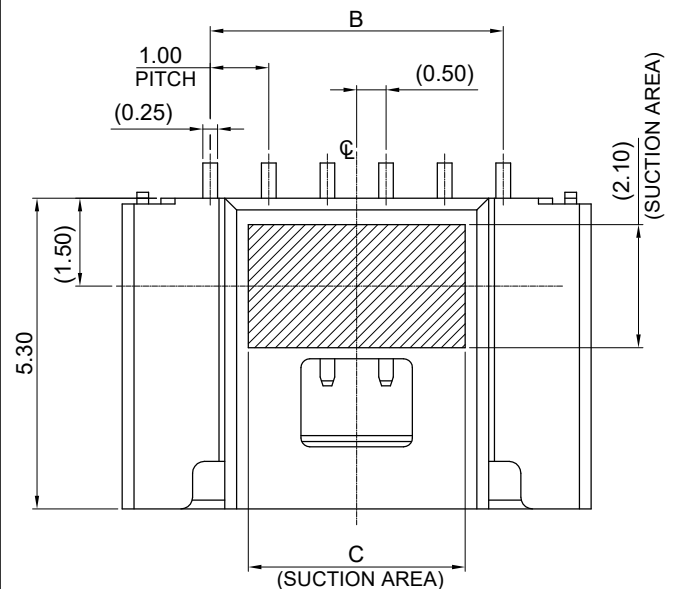
Poles	Dimensions (mm)		
	A	B	C
2	4.00	1.00	3.20
3	5.00	2.00	4.20
4	6.00	3.00	5.20
5	7.00	4.00	6.20



					GENERAL TOLERANCE .X ±0.35 .XX ±0.25 .XXX ±0.15 X.° ±2° PROJECT 				东莞市思索连接器有限公司 SWB CONNECTORS CO.,LTD APPROVAL CHECK DRAWN DATE ROBING ROBING BIN 2021/04/02				PART NO. 1004WRS-XXAHF-4TXXXER TITLE 1.00mm Crimp Style Connectors				
DATE	REV	ECN NO	DESCRIPTION	MODIFY	APPROVAL	ROBING	ROBING	BIN	2021/04/02	UNIT	SCALE	SHEET	REV	NUMBER			
1		2	3	4	5	6	7	8		mm	8:1	1/3	A0	A-082			

RoHS

This products can apply to the SWB Doc NO. QA-3-04-005 of Environmental&Material Management Rules



Poles	Dimensions (mm)			Poles	Dimensions (mm)		
	A	B	C		A	B	C
6	8.00	5.00	3.70	11	13.00	10.00	8.70
7	9.00	6.00	4.70	12	14.00	11.00	9.70
8	10.00	7.00	5.70	13	15.00	12.00	10.70
9	11.00	8.00	6.70	14	16.00	13.00	11.70
10	12.00	9.00	7.70	15	17.00	14.00	12.70

					GENERAL TOLERANCE .X ±0.35 .XX ±0.25 .XXX ±0.15 X.° ±2°				东莞市思索连接器有限公司 SWB CONNECTORS CO.,LTD				PART NO. 1004WRS-XXAHF-4TXXXER								
					PROJECT ROBING				APPROVAL ROBING				DRAWN BIN				DATE 2021/04/02				
					PROJECT ROBING				APPROVAL ROBING				DRAWN BIN				DATE 2021/04/02				
DATE	REV	ECN NO	DESCRIPTION	MODIFY	APPROVAL	ROBING	ROBING	BIN	2021/04/02	TITLE 1.00mm Crimp Style Connectors					UNIT SCALE SHEET REV NUMBER mm 8:1 2/3 A0 A-082						
1																					

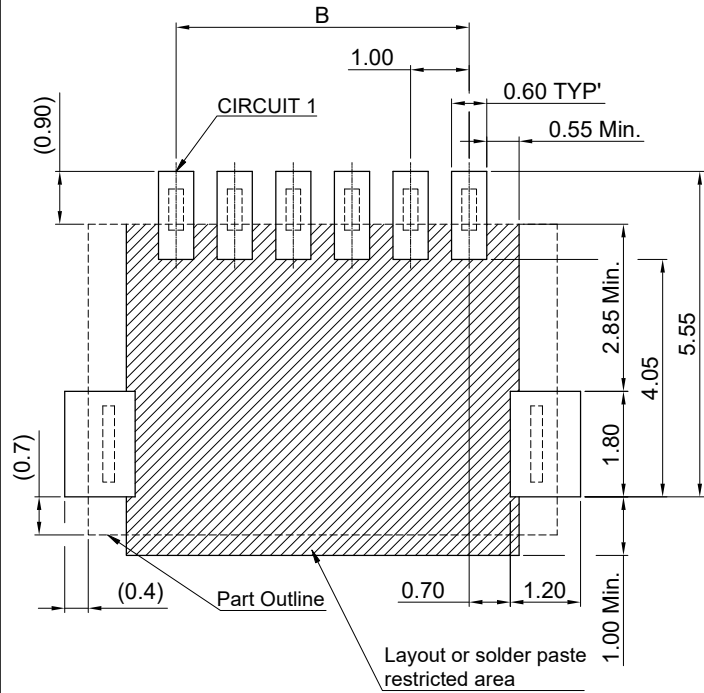
RoHS

This products can apply to the SWB Doc NO. QA-3-04-005 of Environmental&Material Management Rules

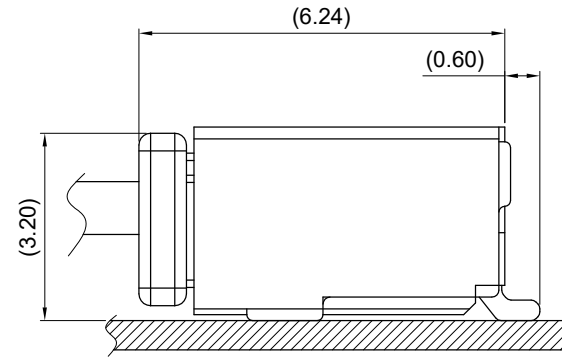
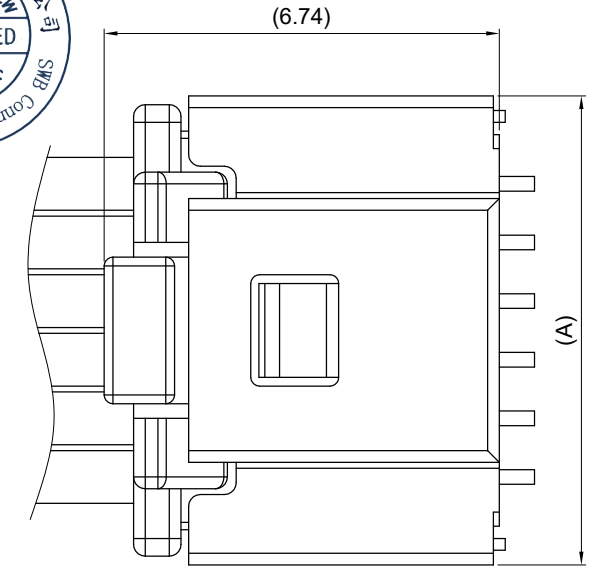
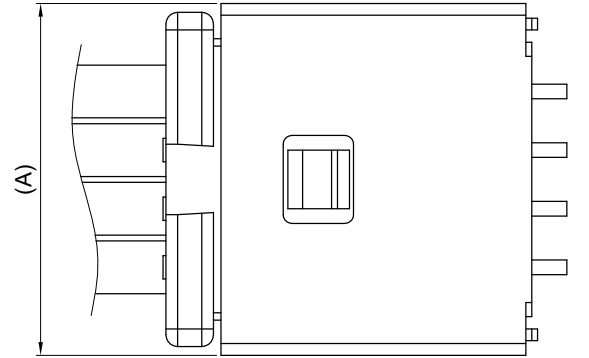


F
E
D
C
B

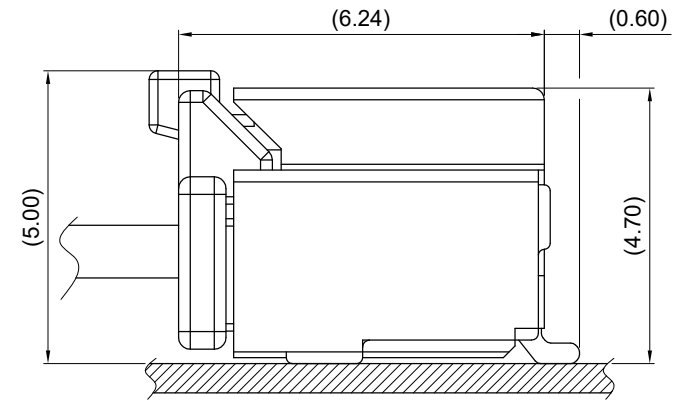
F
E
D
C
B



Recommended PCB Layout (General Tolerance:±0.05)



2-5 Poles



6-15 Poles

DATE	REV	ECN NO	DESCRIPTION	MODIFY	APPROVAL
1					
2					
3					
4					
5					

GENERAL TOLERANCE	
.X	±0.35
.XX	±0.25
.XXX	±0.15
X.°	±2°
PROJECT	

东莞市思索连接器有限公司
SWB CONNECTORS CO.,LTD

APPROVAL: ROBINING
CHECK: ROBINING
DRAWN: BIN
DATE: 2021/04/02

PART NO. 1004WRS-XXAHF-4TXXXER				
TITLE 1.00mm Crimp Style Connectors				
UNIT	SCALE	SHEET	REV	NUMBER
mm	8:1	3/3	A0	A-082

1 2 3 4 5 6 7 8

A

A

RoHS

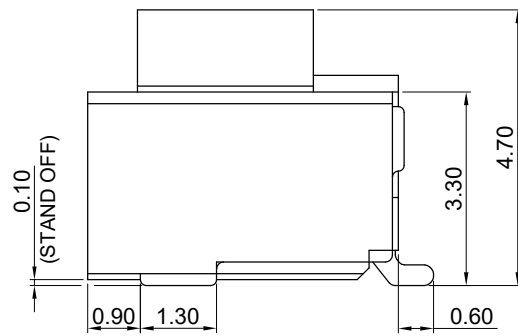
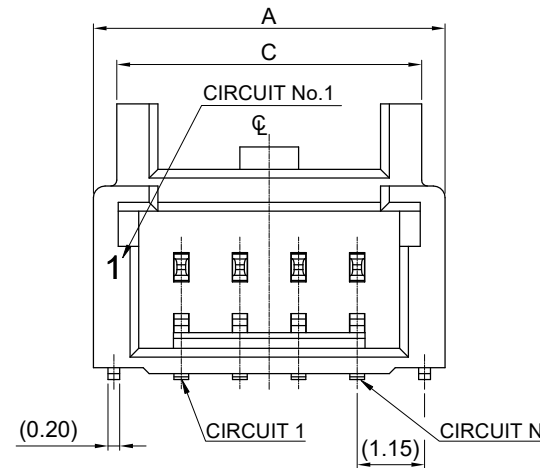
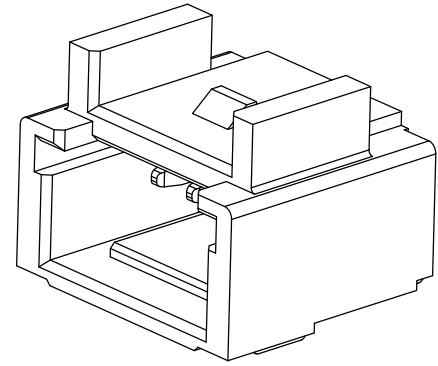
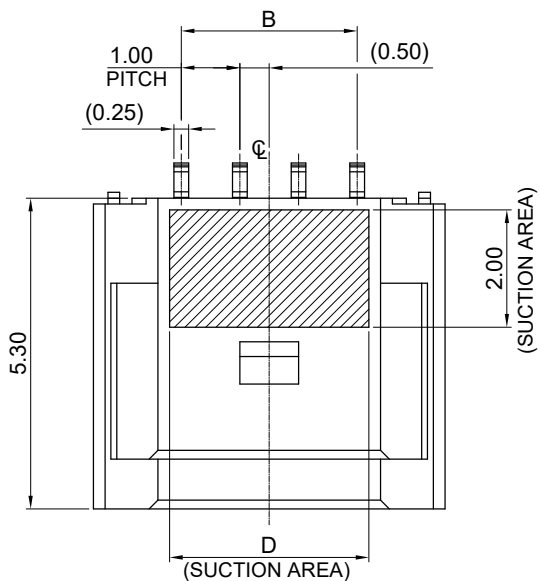
This products can apply to the SWB Doc NO. QA-3-04-005 of Environmental&Material Management Rules

■ Specifications :

- Voltage rating: 100V AC / DC
- Current rating: 1A Max. AC / DC
- Withstanding voltage: 300V AC/minute
- Temperature range: -40°C~+105°C
- Insulation resistance: ≥100MΩ
- Contact resistance: ≤20mΩ
- After environmental testing: ≤40mΩ
- Material(Pin): Phosphor bronze
- Mates With SWB Housing: 1004H

1004 W R S - XX B HF - 4T XXX E R
 ① ② ③ ④ ⑤ ⑥ ⑦ ⑧ ⑨ ⑩ ⑪

- ① Series No.
- ② Category: W-wafer
- ③ Connector Type: R-Right Angle 90°
- ④ Mounting Type: S-SMT
- ⑤ Row No.-Pin No: XX-02-15Pin
- ⑥ Special code: B-Outer Lock
- ⑦ HF-Halogen Free
- ⑧ Plastic material: 4T- PA4T UL94V-0
- ⑨ Plating Code:
 SW1-Matte Tin plating 100u" Min. overall,
 Ni50u" Min. under plating.
 V01-G/F plating overall, Ni50u" Min. under plating.
 V15-Au15u" Min.plating on contact area,
 G/F plating on solder area,
 Ni50u" Min. under plating.
 V30-Au30u" Min.plating on contact area,
 G/F plating on solder area,
 Ni50u" Min. under plating.
- ⑩ Color: E-Becky color
- ⑪ Packing: R-Reel



Poles	Dimensions (mm)			
	A	B	C	D
3	5.00	2.00	4.20	2.40
4	6.00	3.00	5.20	3.40
5	7.00	4.00	5.20	3.40

DATE	REV	ECN NO	DESCRIPTION	MODIFY	APPROVAL
1					

GENERAL TOLERANCE	
.X	±0.35
.XX	±0.25
.XXX	±0.15
X.°	±2°
PROJECT	

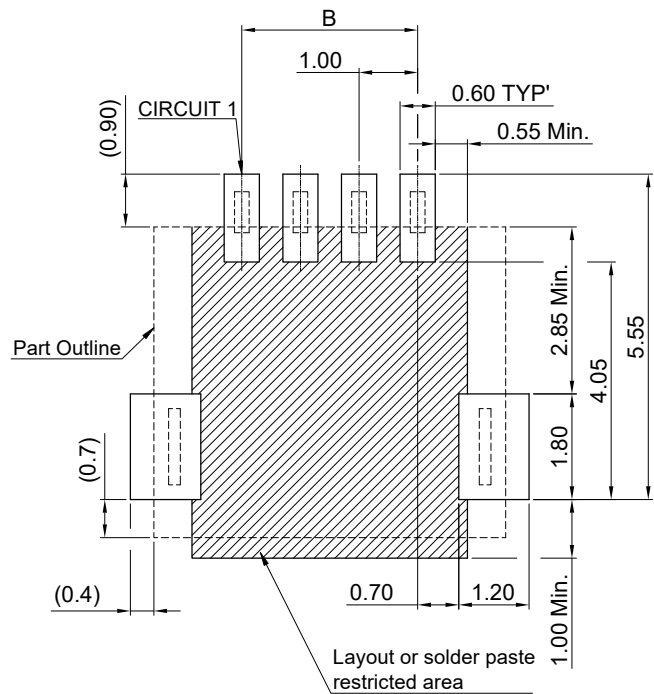
东莞市思索连接器有限公司
SWB CONNECTORS CO.,LTD

APPROVAL: ROBING CHECK: ROBING DRAWN: BIN DATE: 2021/04/02

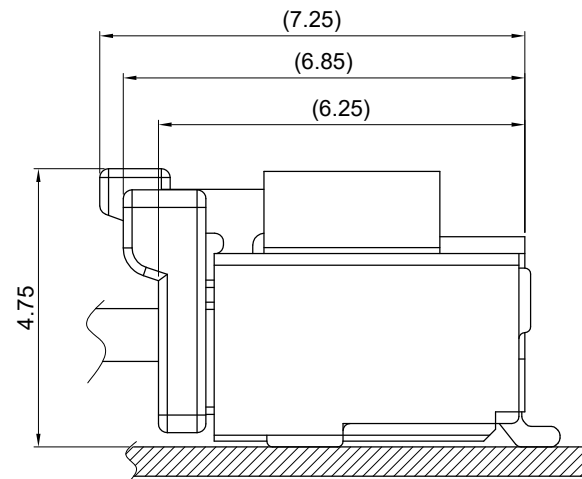
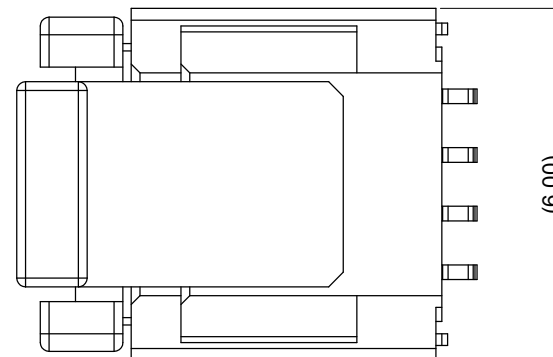
PART NO.				
1004WRS-XXBHF-4TXXXER				
TITLE				
1.00mm Crimp Style Connectors				
UNIT	SCALE	SHEET	REV	NUMBER
mm	8:1	1/2	A0	A-082

RoHS

This products can apply to the SWB Doc NO. QA-3-04-005 of Environmental&Material Management Rules



Recommended PCB Layout (General Tolerance:±0.05)



					GENERAL TOLERANCE .X ±0.35 .XX ±0.25 .XXX ±0.15 X° ±2°				东莞市思索连接器有限公司 SWB CONNECTORS CO.,LTD				PART NO. 1004WRS-XXBHF-4TXXXER																
					PROJECT 				APPROVAL ROBING				CHECK ROBING				DRAWN BIN				DATE 2021/04/02				TITLE 1.00mm Crimp Style Connectors				
DATE	REV	ECN NO		DESCRIPTION			MODIFY	APPROVAL	ROBING	ROBING	BIN	2021/04/02		UNIT	SCALE	SHEET	REV	NUMBER		mm	8:1	2/2	A0	A-082					

RoHS

This products can apply to the SWB Doc NO. QA-3-04-005 of Environmental&Material Management Rules

Specifications :

- Voltage rating: 100V AC / DC
- Current rating: 1A Max. AC / DC
- Withstanding voltage: 300V AC/minute
- Temperature range: -40°C~+105°C
- Insulation resistance: ≥100MΩ
- Contact resistance: ≤20mΩ
- After environmental testing: ≤40mΩ
- Material(Pin): Phosphor bronze
- Mates With SWB Housing: 1004H

1004 W V S - XX A HF - 4T XXX E C
 ① ② ③ ④ ⑤ ⑥ ⑦ ⑧ ⑨ ⑩ ⑪

- ① Series No.
- ② Category: W-wafer
- ③ Connector Type: V- 180°
- ④ Mounting Type: S-SMT
- ⑤ Row No.-Pin No: XX-02-15Pin
- ⑥ Special code: A-Inner Lock
- ⑦ HF-Halogen Free
- ⑧ Plastic material: 4T- PA4T UL94V-0
- ⑨ Plating Code:



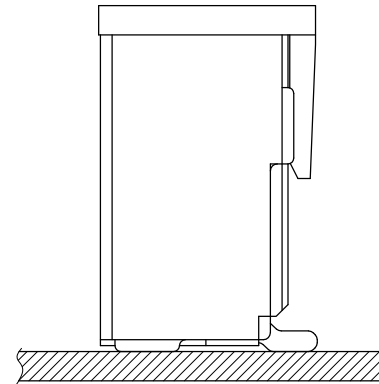
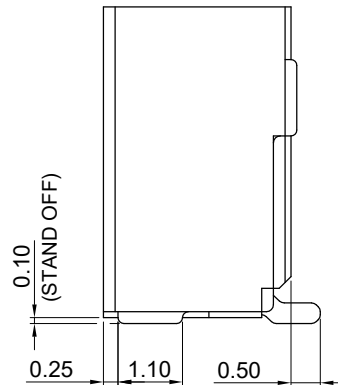
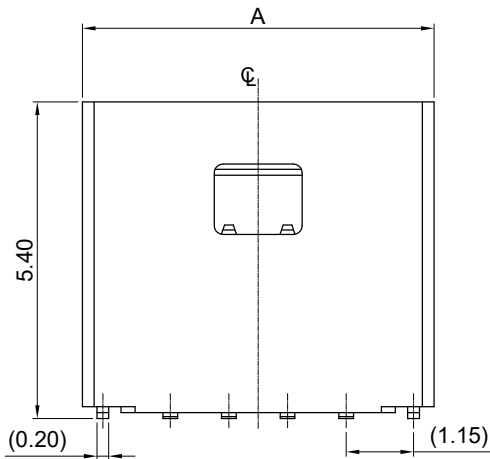
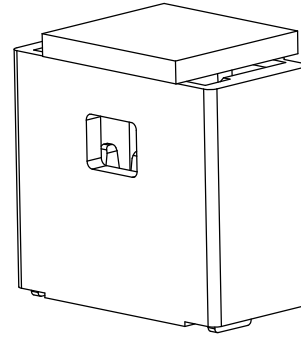
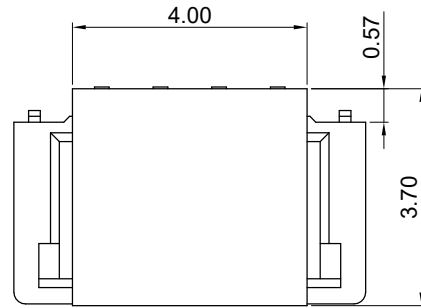
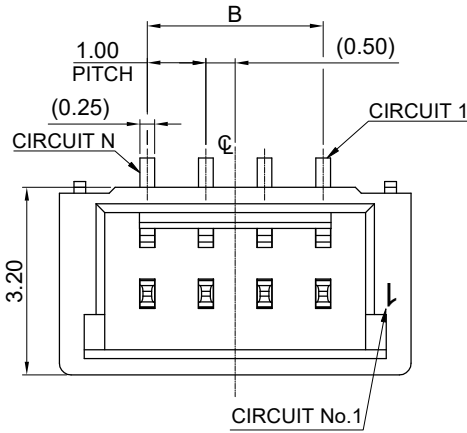
SW1-Matte Tin plating 100u" Min. overall, Ni50u" Min. under plating.
 V01-G/F plating overall, Ni50u" Min. under plating.
 V15-Au15u" Min.plating on contact area, G/F plating on solder area, Ni50u" Min. under plating.
 V30-Au30u" Min.plating on contact area, G/F plating on solder area, Ni50u" Min. under plating.

- ⑩ Color: E-Becky color
- ⑪ Packing: C-Carrier tape (with CAP)

Poles	Dimensions (mm)	
	A	B
2	4.00	1.00
3	5.00	2.00
4	6.00	3.00
5	7.00	4.00

F
E
D
C
B
A

F
E
D
C
B
A



GENERAL TOLERANCE

.X	±0.35
.XX	±0.25
.XXX	±0.15
X.°	±2°

PROJECT

东莞市思索连接器有限公司
 SWB CONNECTORS CO.,LTD

PART NO.
 1004WVS-XXAHF-4TXXXEC

APPROVAL CHECK DRAWN DATE

TITLE
 1.00mm Crimp Style Connectors

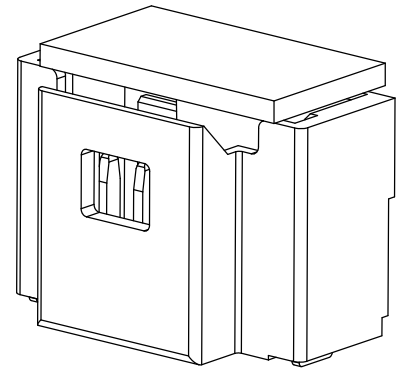
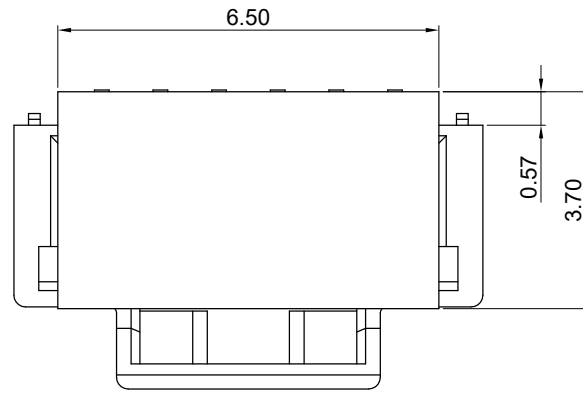
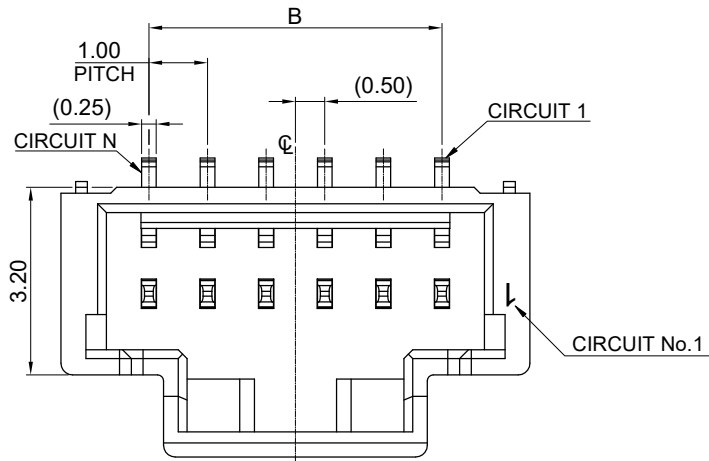
DATE	REV	ECN NO	DESCRIPTION	MODIFY	APPROVAL
------	-----	--------	-------------	--------	----------

UNIT	SCALE	SHEET	REV	NUMBER
mm	8:1	1/3	A0	A-082

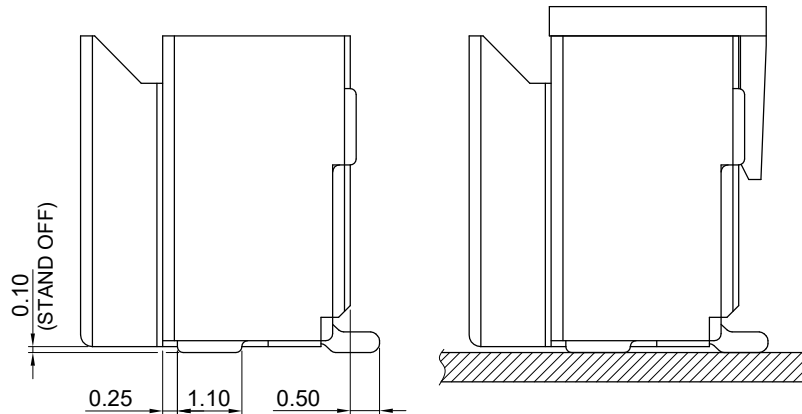
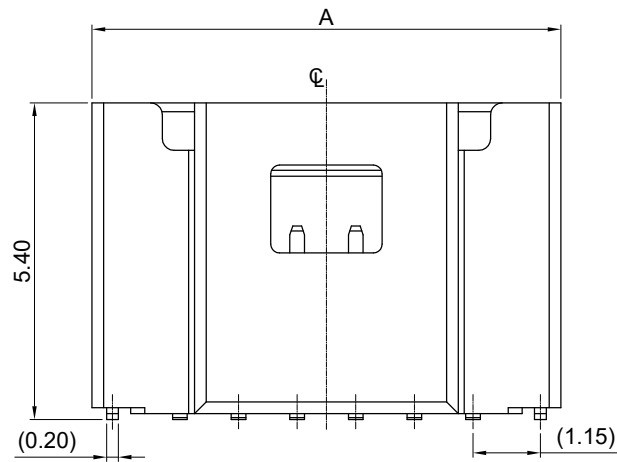
1 2 3 4 5 6 7 8

RoHS

This products can apply to the SWB Doc NO. QA-3-04-005 of Environmental&Material Management Rules



PICK AND PLACE AREA WITH CAP



Poles	Dimensions (mm)		Poles	Dimensions (mm)	
	A	B		A	B
6	8.00	5.00	11	13.00	10.00
7	9.00	6.00	12	14.00	11.00
8	10.00	7.00	13	15.00	12.00
9	11.00	8.00	14	16.00	13.00
10	12.00	9.00	15	17.00	14.00



DATE	REV	ECN NO	DESCRIPTION	MODIFY	APPROVAL	PROJECT	APPROVAL	CHECK	DRAWN	DATE	UNIT	SCALE	SHEET	REV	NUMBER
						ROBING	ROBING	BIN		2021/04/02	mm	8:1	2/3	A0	A-082

GENERAL TOLERANCE

.X ±0.35

.XX ±0.25

.XXX ±0.15

X.° ±2°

PROJECT

ROBING



东莞市思索连接器有限公司
SWB CONNECTORS CO.,LTD

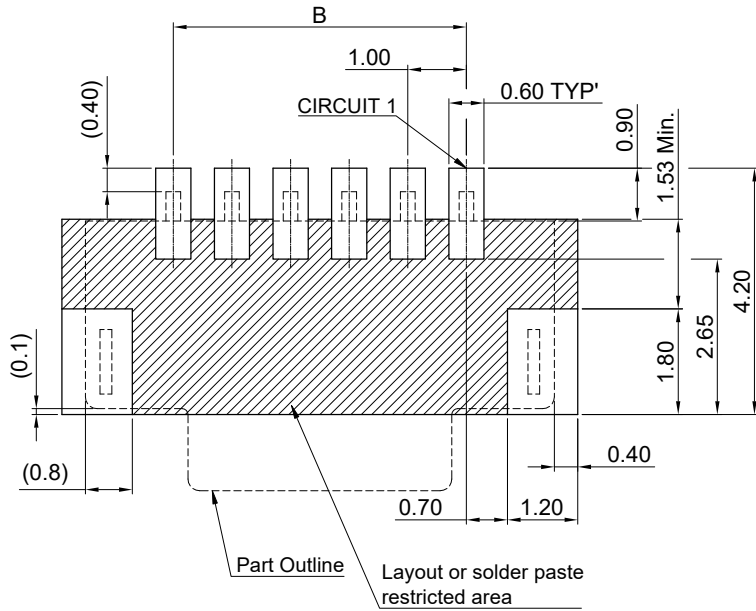
PART NO.
1004WVS-XXAHF-4TXXXEC

TITLE
1.00mm Crimp Style Connectors

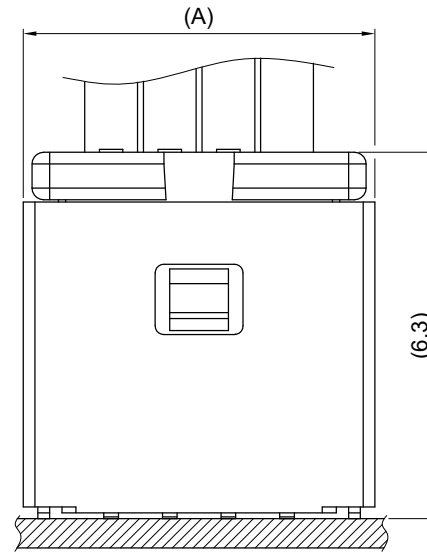
UNIT SCALE SHEET REV NUMBER
mm 8:1 2/3 A0 A-082

RoHS

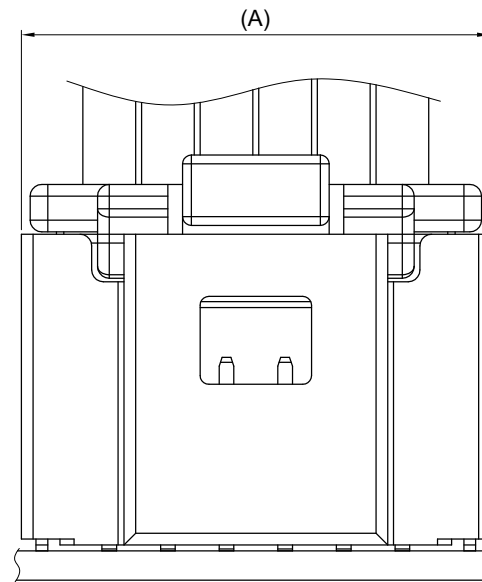
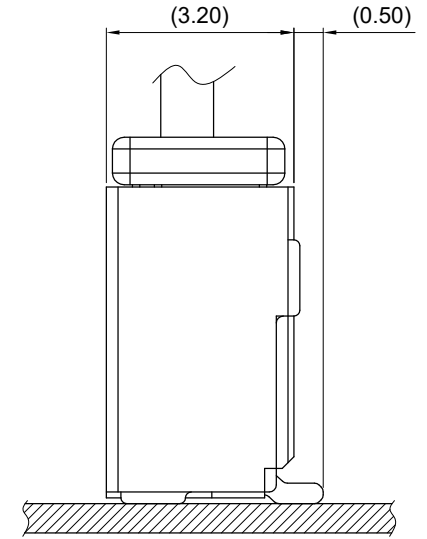
This products can apply to the SWB Doc NO. QA-3-04-005 of Environmental&Material Management Rules



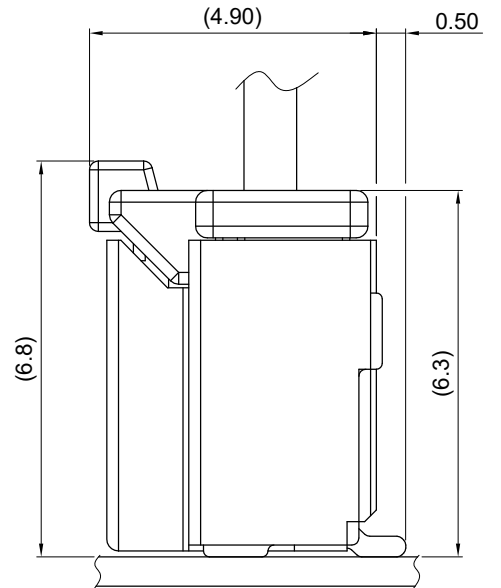
Recommended PCB Layout (General Tolerance:±0.05)



2-5 Poles



6-15 Poles

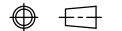


DATE	REV	ECN NO	DESCRIPTION	MODIFY	APPROVAL
1					
2					
3					
4					

GENERAL TOLERANCE

.X	±0.35
.XX	±0.25
.XXX	±0.15
X.°	±2°

PROJECT



东莞市思索连接器有限公司
SWB CONNECTORS CO.,LTD

APPROVAL	CHECK	DRAWN	DATE
ROBING	ROBING	BIN	2021/04/02

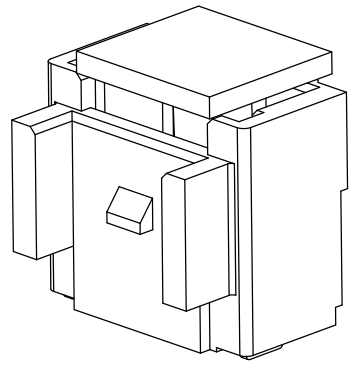
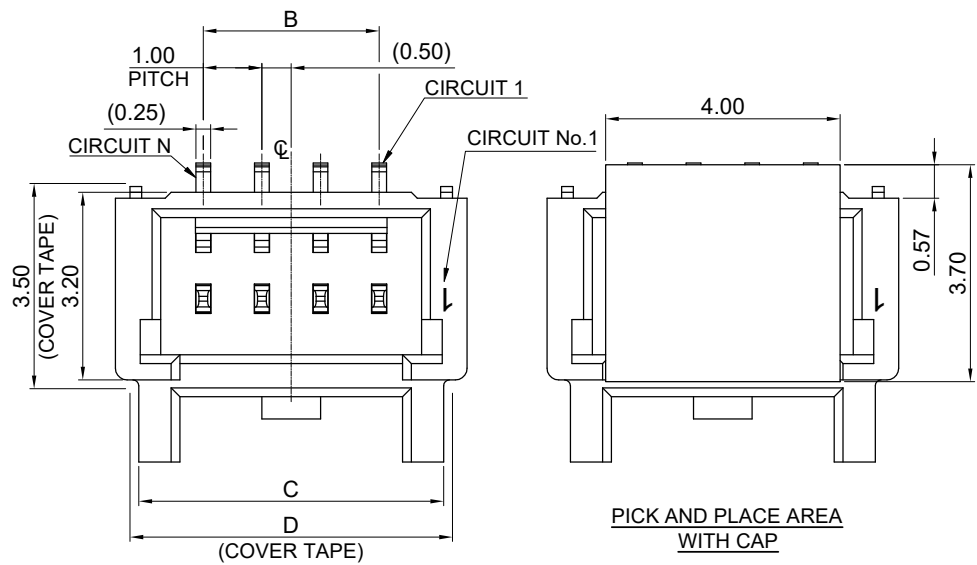
PART NO.
1004WVS-XXAHF-4TXXXEC

TITLE
1.00mm Crimp Style Connectors

UNIT	SCALE	SHEET	REV	NUMBER
mm	8:1	3/3	A0	A-082

RoHS

This products can apply to the SWB Doc NO. QA-3-04-005 of Environmental&Material Management Rules

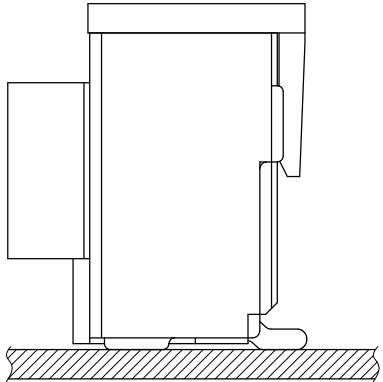
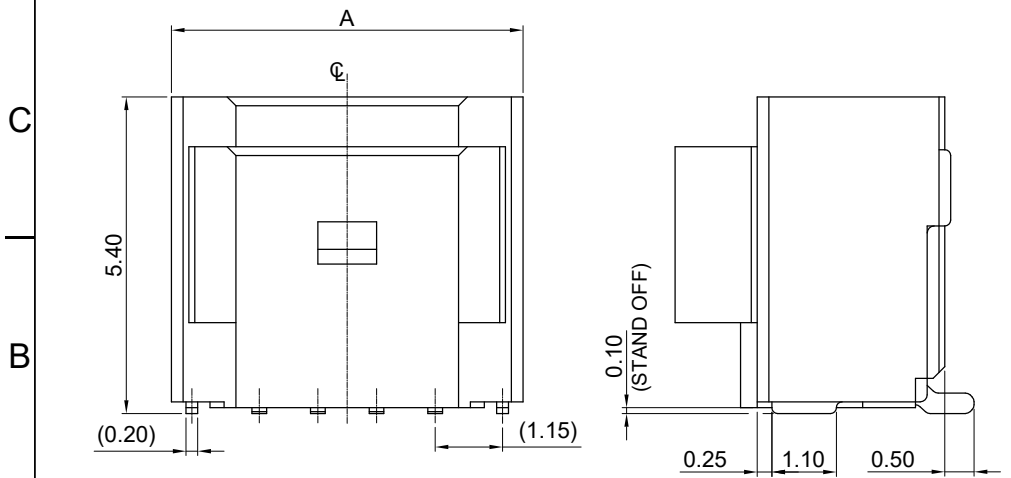


- Specifications :
- Voltage rating: 100V AC / DC
 - Current rating: 1A Max. AC / DC
 - Withstanding voltage: 300V AC/minute
 - Temperature range: -40°C~+105°C
 - Insulation resistance: ≥100MΩ
 - Contact resistance: ≤20mΩ
 - After environmental testing: ≤40mΩ
 - Material(Pin): Phosphor bronze
 - Mates With SWB Housing: 1004H

1004 W V S - XX B HF - 4T XXX E C
 ① ② ③ ④ ⑤ ⑥ ⑦ ⑧ ⑨ ⑩ ⑪

- ① Series No.
- ② Category: W-wafer
- ③ Connector Type: V- 180°
- ④ Mounting Type: S-SMT
- ⑤ Row No.-Pin No: XX-02-15Pin
- ⑥ Special code: B-Outer Lock
- ⑦ HF-Halogen Free
- ⑧ Plastic material: 4T- PA4T UL94V-0
- ⑨ Plating Code:
 - SW1-Matte Tin plating 100u" Min. overall, Ni50u" Min. under plating.
 - V01-G/F plating overall, Ni50u" Min. under plating.
 - V15-Au15u" Min.plating on contact area, G/F plating on solder area, Ni50u" Min. under plating.
 - V30-Au30u" Min.plating on contact area, G/F plating on solder area, Ni50u" Min. under plating.
- ⑩ Color: E-Becky color
- ⑪ Packing: C-Carrier tape (with CAP)

Poles	Dimensions (mm)			
	A	B	C	D
3	5.00	2.00	4.20	4.50
4	6.00	3.00	5.20	5.50
5	7.00	4.00	5.20	6.50



DATE	REV	ECN NO	DESCRIPTION	MODIFY	APPROVAL
1		2	3	4	5

GENERAL TOLERANCE

.X	±0.35
.XX	±0.25
.XXX	±0.15
X.°	±2°

PROJECT

东莞市思索连接器有限公司
 SWB CONNECTORS CO.,LTD

APPROVAL	CHECK	DRAWN	DATE
----------	-------	-------	------

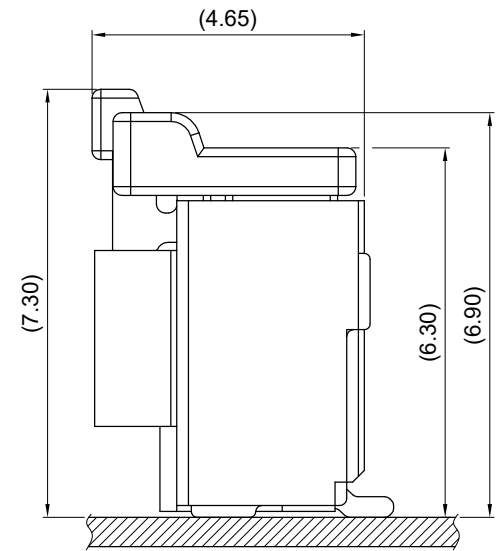
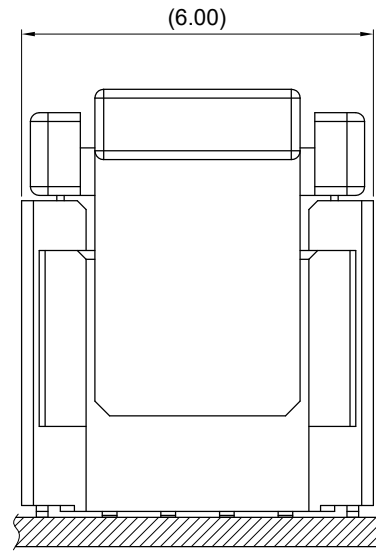
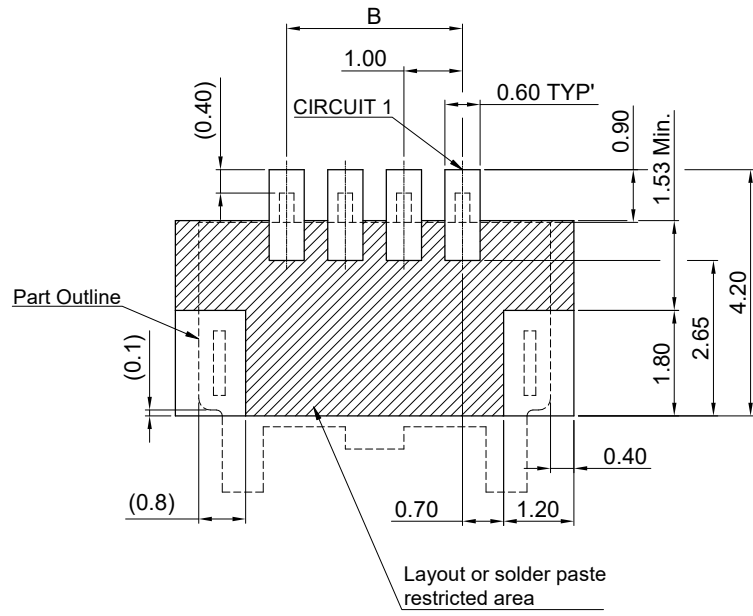
PART NO.
1004WVS-XXBHF-4TXXXEC

TITLE
1.00mm Crimp Style Connectors

UNIT	SCALE	SHEET	REV	NUMBER
mm	8:1	1/2	A0	A-082

RoHS

This products can apply to the SWB Doc NO. QA-3-04-005 of Environmental&Material Management Rules



Recommended PCB Layout (General Tolerance:±0.05)



					<p>GENERAL TOLERANCE</p> <p>.X ±0.35</p> <p>.XX ±0.25</p> <p>.XXX ±0.15</p> <p>X° ±2°</p>				<p>东莞市思索连接器有限公司</p> <p>SWB CONNECTORS CO.,LTD</p>				<p>PART NO.</p> <p>1004WVS-XXBHF-4TXXXEC</p>				
					<p>PROJECT</p> <p>APPROVAL</p> <p>CHECK</p> <p>DRAWN</p> <p>DATE</p>								<p>TITLE</p> <p>1.00mm Crimp Style Connectors</p>				
DATE	REV	ECN NO	DESCRIPTION	MODIFY	APPROVAL					UNIT	SCALE	SHEET	REV	NUMBER			
1		2	3	4	5					mm	8:1	2/2	A0	A-082			