



思索连接器有限公司

SWB CONNECTORS CO., LTD.

TEL: 0769-85420488 FAX: 0769-85420988

Type Document	Crimp Specification	Revised /Edition	A
Date Issued:	2014/12/02	Data Revised:	2020/11/06
Subject: 1004T-PXX 1.00mm Pitch Terminal crimp specification			Issued By: Engineering Dept.

### Description:

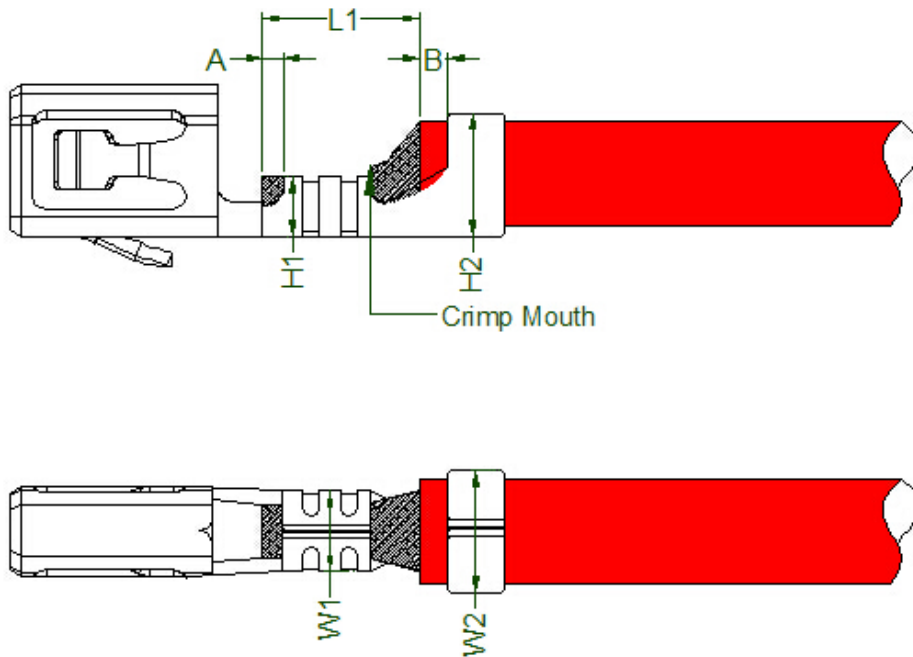
Height and width of conductor crimp core should be set as required.

(conductor crimp height and width of conductor barrel)

According to the external diameter and the type of electric wire, the width of crimped sheath shall be adjusted, wire won't be easily taken off from contact nor too much crimped.

(Crimped width of insulation barrel)

### Position Graph:



### Note:

1. Conductor crimp width. W1
2. Conductor crimp height. H1
3. Insulator crimp width. W2
4. Insulator crimp height. H2
5. Conductor wire shall be dimension long (mm) out A.
6. Naked part of sheathed wire must be located in the vicinity of center B.
7. The Crimp mouth must be equipped like bell.



# 思索连接器有限公司

SWB CONNECTORS CO., LTD.

TEL: 0769-85420488 FAX: 0769-85420988

Type Document	Crimp Specification	Revised /Edition	A
Date Issued:	2014/12/02	Data Revised:	2020/11/06
Subject: 1004T-PXX 1.00mm Pitch Terminal crimp specification			Issued By: Engineering Dept.

## Requirement:

Subject: UL1571 or equivalent type electric wire					
AWG#	Conductor (mm <sup>2</sup> )		Insulation Diameter	Insulator skins length (Dim.B)mm	Dim. L1 (mm) out
#32~#28	0.032~0.08mm <sup>2</sup>		0.6~0.9mm	0.3-0.5mm	1.0~1.3mm
Wire Gauge (AWG#)	Conductor Crimp Area		Insulator Crimp Area		Terminal Tensile Strength
	Width(W1)	Height(H1)	Width(W2)	Height(H2)	
#28	0.73±0.03mm	0.51±0.03mm	0.77±0.03mm	1.10±0.05mm	0.9Kgf
#30		0.48±0.03mm		0.95±0.05mm	0.7Kgf
#32		0.44±0.03mm		0.85±0.05mm	0.45Kgf

## Remarks:

Unlike equipments and crimp reel molds skill facility or not shall be difference to result in dissimilar.

Signature: BAK ENG

Dongguan SWB CONNECTOR CO.,LTD.