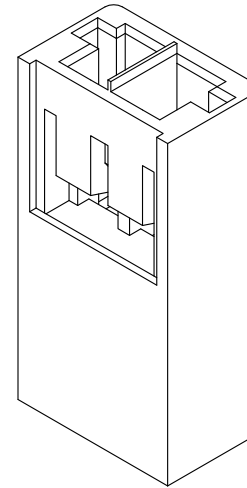
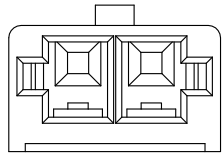


RoHS

This products can apply to the SWB Doc NO. QA-3-04-005 of Environmental&Material Management Rules

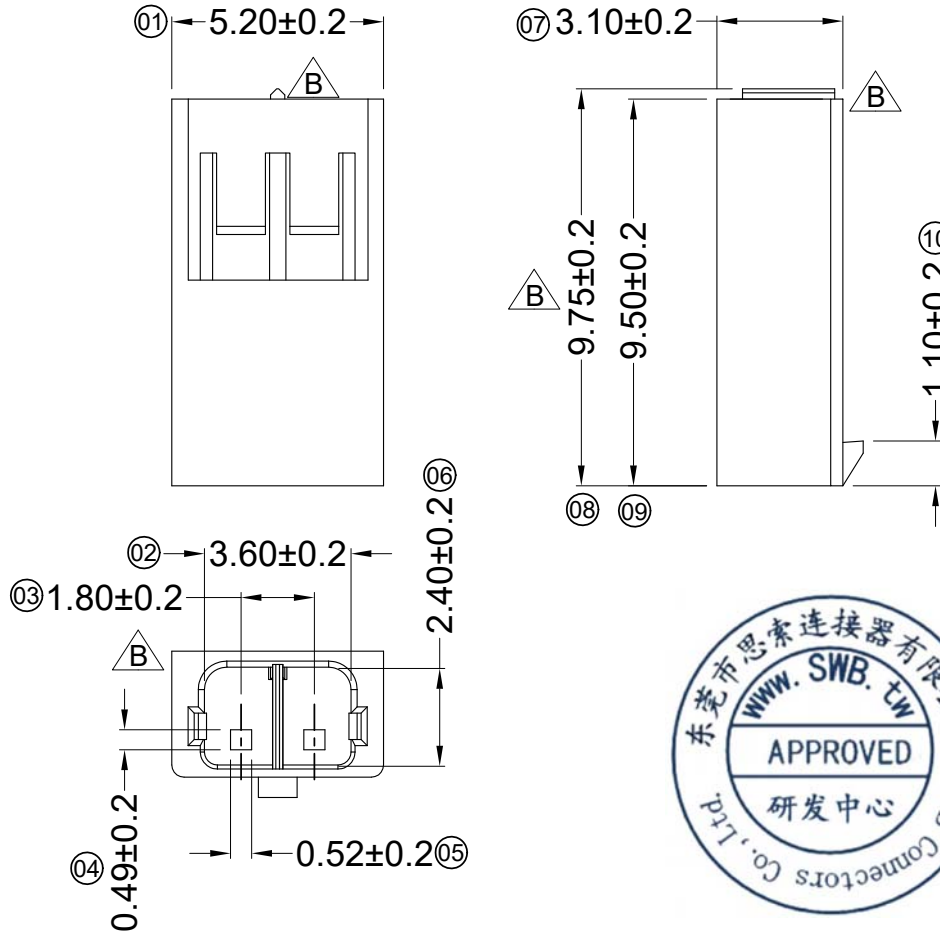


■ Specifications :

- Voltage rating: 350V AC / DC
- Current rating: 4A AC / DC
- Withstanding voltage: 1700V AC/minute
- Temperature range: -40°C~+105°C
- Insulation resistance: ≥1000MΩ
- Contact resistance: ≤10mΩ
- After environmental testing: ≤20mΩ

1804 H F - 1x02 - N0 X B H 01 Q
 ① ② ③ ④ ⑤ ⑥ ⑦ ⑧ ⑨ ⑩

- ① Series No.
 - ② Category: H-HSG
 - ③ Product form: F-Female HSG
 - ④ Row No.-Pin No.: 1x02-02P
 - ⑤ Material: N0-PA66 94V-0
 - ⑥ Colour: N-True color B-Black color
 - ⑦ Packing: B-Bag
 - ⑧ Green code: H-Halogen-free R-Rohs
 - ⑨ Water code: 01
 - ⑩ Special code
- F---Other Connectors Q---Automotive Connecto

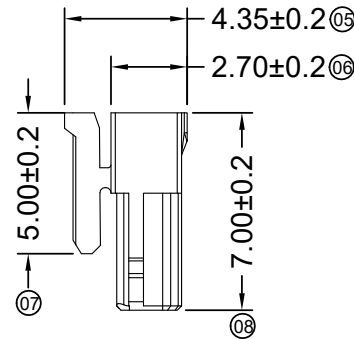
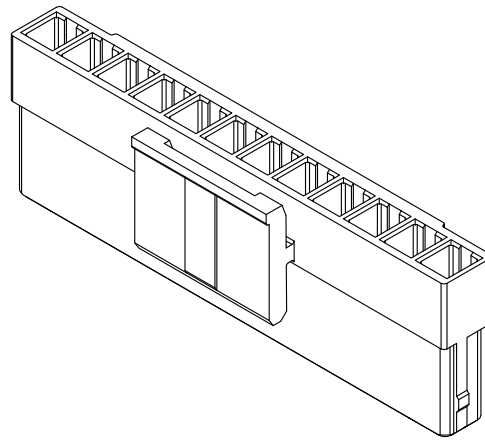
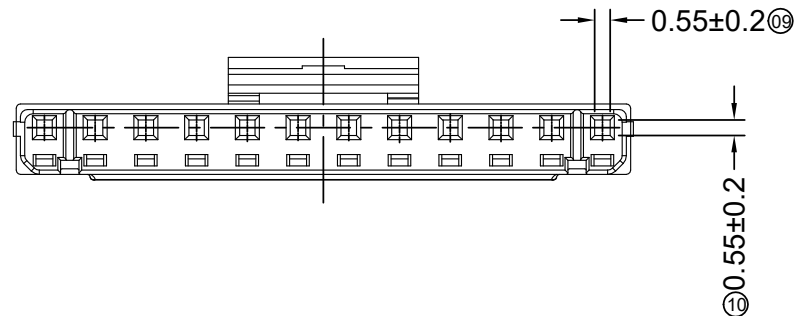
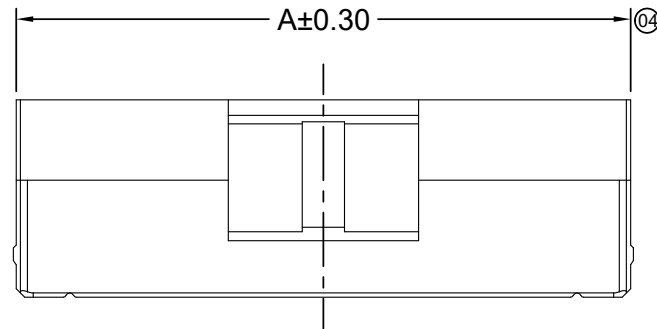
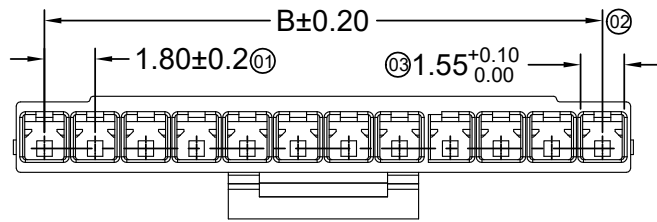


1804HF-1x02-N0NBH01Q	Nylon 66 UL 94V-0 Halogen-Free	1804TM-B03S-01Q	1800H/1800T
PART NO	Material	Suitable SWB Terminal	Suitable SWB Housing

					GENERAL TOLERANCE .X ±0.35 .XX ±0.25 .XXX ±0.15 X° ±2°				东莞市思索连接器有限公司 SWB CONNECTORS CO.,LTD				PART NO. 1804HF-1x02-N0XBH01Q				
					APPROVAL CHECK DRAWN DATE				TITLE 1.80mm Crimp Style Connectors								
2019/05/10	B	EN20200417001	Update the drawing according to the material object	Yangmeng	Joshua	Oneh		2018/08/15		UNIT	SCALE	SHEET	REV	NUMBER			
DATE	REV	ECN NO	DESCRIPTION	MODIFY	APPROVAL					mm	1:1	1/1	B	A-022			

RoHS

This products can apply to the SWB Doc NO. QA-3-04-005 of Environmental&Material Management Rules



■ Specifications :

- Voltage rating: 350V AC / DC
- Current rating: See the table below
- Withstanding voltage: 1700V AC/minute
- Temperature range: -40°C~+105°C
- Insulation resistance: ≥1000MΩ
- Contact resistance: ≤10mΩ
- After environmental testing: ≤20mΩ
- Mates With SWB Terminal 1804TF
- Mates With SWB Wafer 1804WRS

1804 H M - XX - N0 X B H 01 Q
 ① ② ③ ④ ⑤ ⑥ ⑦ ⑧ ⑨ ⑩

- ① Series No.
- ② Category: H-HSG
- ③ Product form: M-Male HSG
- ④ Row No.-Pin No Per Row: 1xXX-Single Row
- ⑤ Material: N0-PA66 94V-0
- ⑥ Color: B-Black N-Nature
- ⑦ Packing: B-Bag
- ⑧ RoHS/HF: H-Halogen-free R-Rohs
- ⑨ Sequence Number: 01
- ⑩ Special code
 Q----Automotive Connecto



PIN位	尺寸(mm)		Current rating		
	A	B	22#	24#	26#
03	5.60	3.60			
04	7.40	5.40			
05	9.20	7.20			
06	11.00	9.00	4.5A	4A	2A
07	12.80	10.80			
08	14.60	12.60			
09	16.40	14.40			
10	18.20	16.20			
11	20.00	18.00			
12	21.80	19.80	3.5A	2A	2A

					GENERAL TOLERANCE .X ±0.35 .XX ±0.25 .XXX ±0.15 X.° ±2° PROJECT 				东莞市思索连接器有限公司 SWB CONNECTORS CO.,LTD APPROVAL CHECK DRAWN DATE Robing Robing Joshua 2018/11/24				PART NO. 1804HM-1xXX-N0XBH01Q TITLE 1.80mm Crimp Style Connectors				
DATE	REV	ECN NO	DESCRIPTION	MODIFY	APPROVAL	UNIT	SCALE	SHEET	REV	NUMBER							
1		2	3	4	5	mm	1:1	1/1	A	A-000							

RoHS

This products can apply to the SWB Doc NO. QA-3-04-005 of Environmental&Material Management Rules

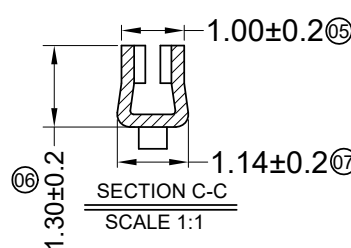
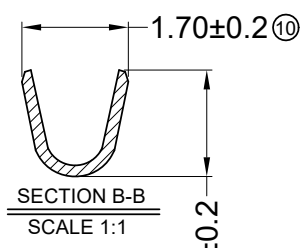
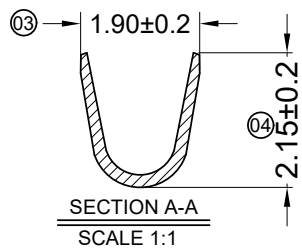
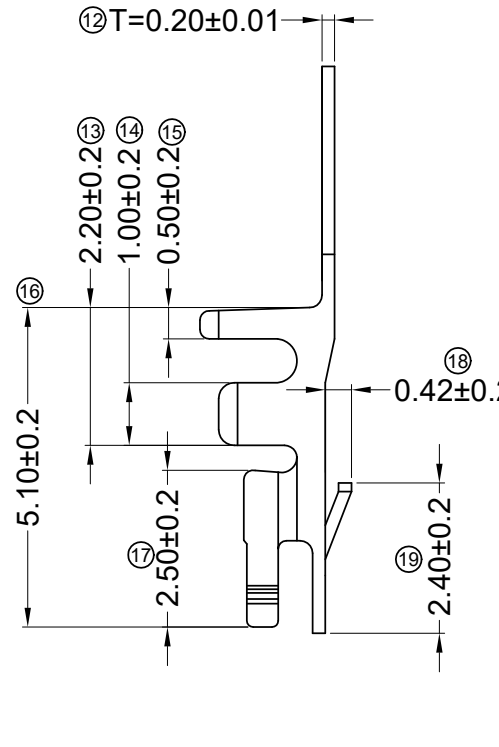
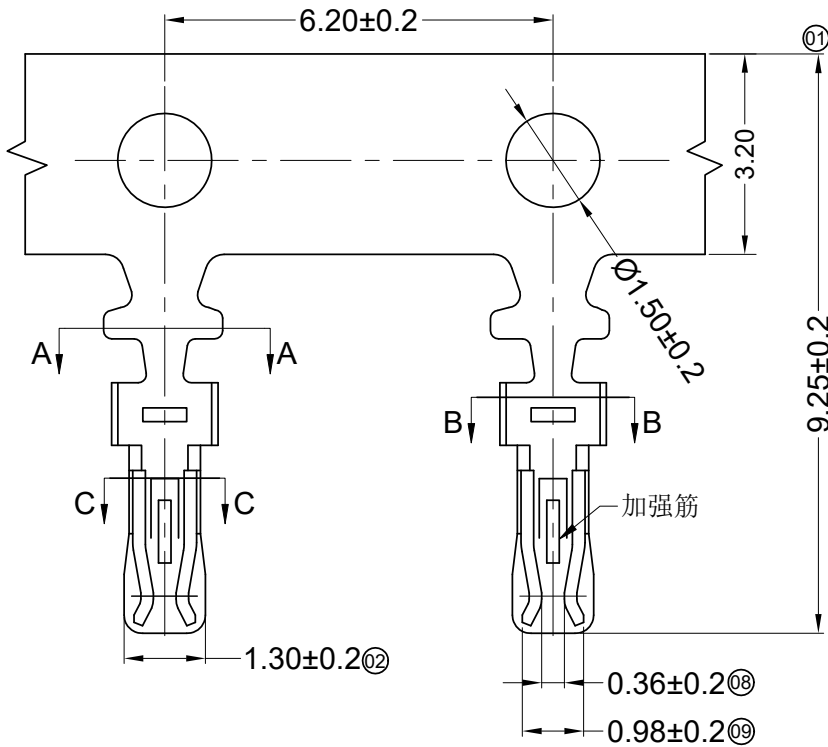
■ Specifications :

- Voltage rating: 350V AC / DC
- Current rating: See Table below
- Withstanding voltage: 1700V AC/minute
- Temperature range: -40°C~+105°C
- Insulation resistance: ≥1000MΩ
- Contact resistance: ≤10mΩ
- After environmental testing: ≤20mΩ
- Wire Range: AWG#22~AWG#26
- Insulation O.D: 1.30mm(Max)
- Mates With SWB Housing: 1804HM

1804 T F X - P 03 X X - 01 Q
 ① ② ③ ④ ⑤ ⑥ ⑦ ⑧ ⑨ ⑩

- ① Series No
- ② Category: T-terminal
- ③ Shape: F-Female Terminal
- ④ Product form: Blank-ordinary
- ⑤ Material: P-Phosphor Bronze
- ⑥ Plating Code: 03-Ni 50μ"Min. Sn 100μ" Min.
- ⑦ Plating method: S-Stamping before plating
- ⑧ High and low feet: Blank-ordinary
- ⑨ Sequence Number: 01
- ⑩ Special code:
Q----Automotive Connectors

Current rating		
22#	24#	26#
4.5A	4A	2A
3.5A	2A	2A



					GENERAL TOLERANCE				东莞市思索连接器有限公司				PART NO. 1804TF-P03S-01Q																			
					.X ±0.35				SWB CONNECTORS CO.,LTD				TITLE																			
					.XX ±0.25								1.80mm Crimp Style Connectors																			
20.03.06					B				EN20200417001				Update the drawing according to the actual product				Mali				Joshua											
DATE					REV				ECN NO				DESCRIPTION				MODIFY				APPROVAL											
1					2				3				4				5				6				7				8			
													PROJECT				APPROVAL				CHECK				DRAWN				DATE			
													Roving				Joshua				Yangmeng				2019/05/10							
													UNIT				SCALE				SHEET				REV				NUMBER			
													mm				1:1				1/1				B				A-000			

RoHS

This products can apply to the SWB Doc NO. QA-3-04-005 of Environmental&Material Management Rules

■ Specifications :

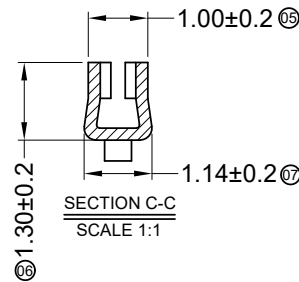
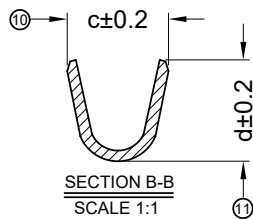
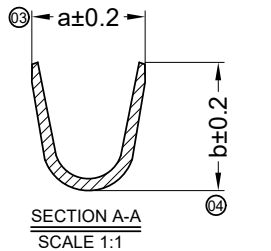
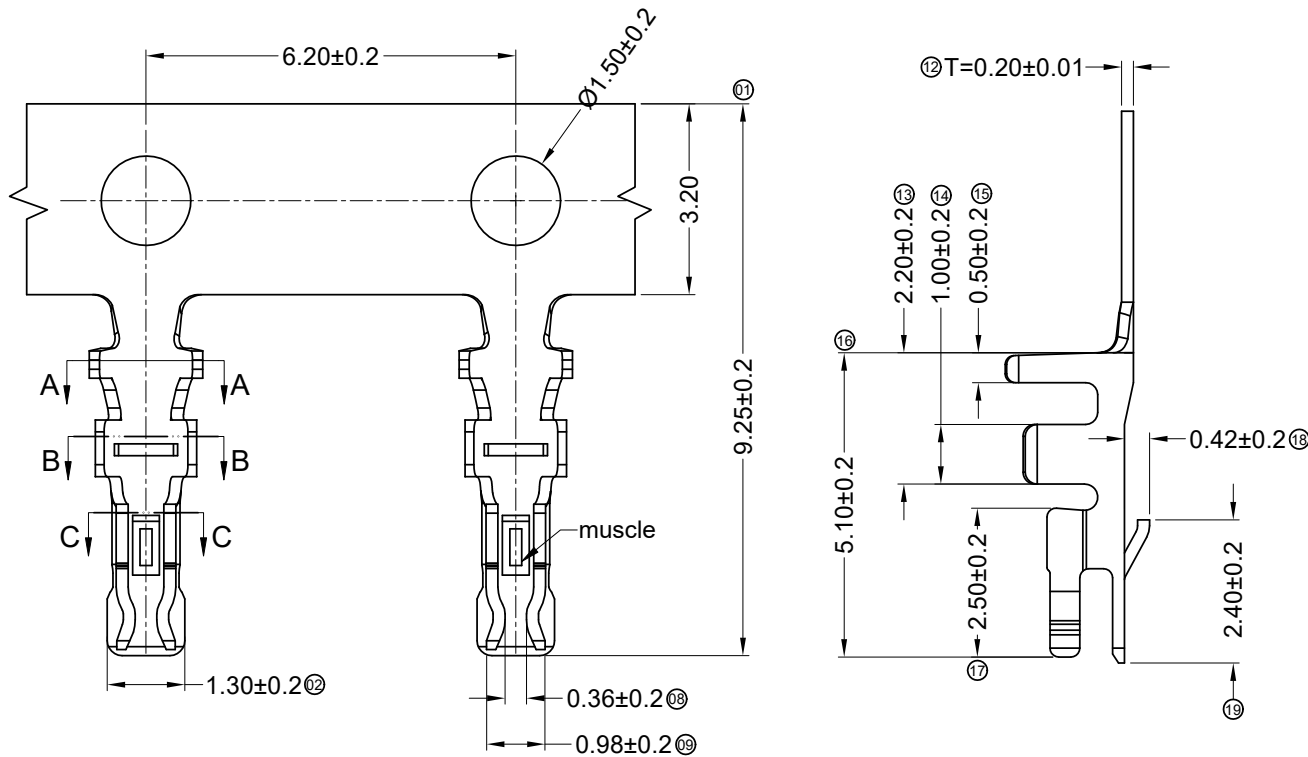
- Voltage rating: 350V AC / DC
- Current rating: See Table below
- Withstanding voltage: 1700V AC/minute
- Temperature range: -40°C~+105°C
- Insulation resistance: ≥1000MΩ
- Contact resistance: ≤10mΩ
- After environmental testing: ≤20mΩ
- Wire Range: See Table below
- Insulation O.D: See Table below
- Mates With SWB Housing: 1804HM

1804 T F X - P 03 X X - XX Q
 ① ② ③ ④ ⑤ ⑥ ⑦ ⑧ ⑨ ⑩

- ① Series No
- ② Category: T-terminal
- ③ Shape: F-Female Terminal
- ④ Product form: Blank-ordinary
- ⑤ Material: P-Phosphor Bronze
- ⑥ Plating Code: 03-Ni 50μ"Min. Sn 100μ" Min.
- ⑦ Plating method: S-Stamping before plating
- ⑧ High and low feet: Blank-ordinary L= Lower
- ⑨ Sequence Number: Nomarl-01, FRLY A-02
- ⑩ Special code:
 Q----Automotive Connectors

PIN	Current rating			
	22#	24#	26#	28#
06P	4.5A	4A	2A	2A
12P	3.5A	2A	2A	2A

PART No.	Wire Size	Insulation O.D	DIM a	DIM b	DIM c	DIM d
1804TF-P03S-02Q	FLRY-A	1.20mm	1.65	1.80	1.70	1.70
1804TF-P03S-01Q	AWG#22-24 UL1061	1.20~1.30mm	1.90	2.15	1.70	1.70
1804TF-P03SL-01Q	AWG#26-28 UL3266	1.20~1.30mm	1.70	1.95	1.00	1.10



DATE	REV	ECN NO	DESCRIPTION	MODIFY	APPROVAL
20.08.22	D	ER20200822001	ADD 02 TYPE	Joshua	Robing
20.05.21	C		ADD Lower Type	Rick	Joshua
20.03.06	B	EN20200417001	Update the drawing according to the actual product	Mali	Joshua

GENERAL TOLERANCE	
.X	±0.35
.XX	±0.25
.XXX	±0.15
X°	±2°
PROJECT	
⊕	□

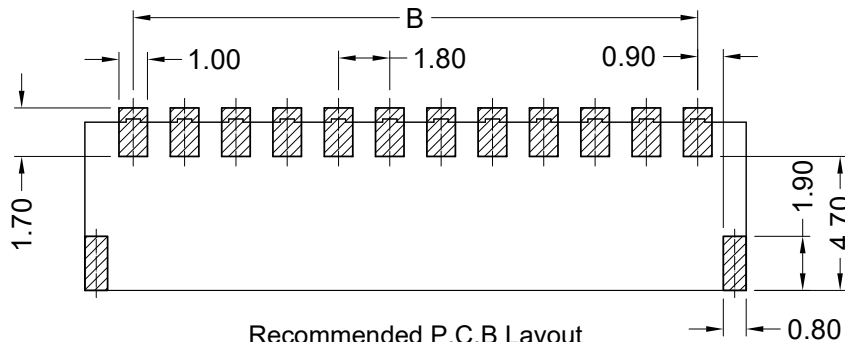
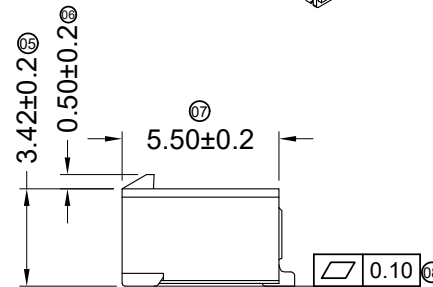
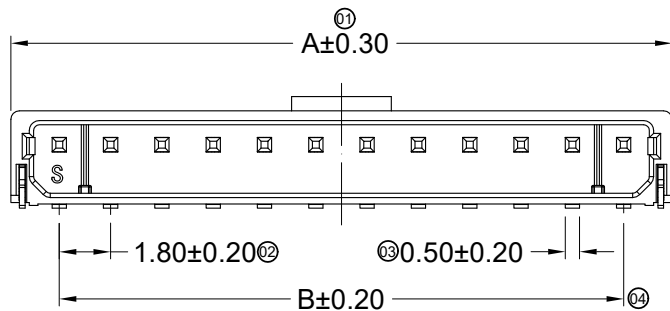
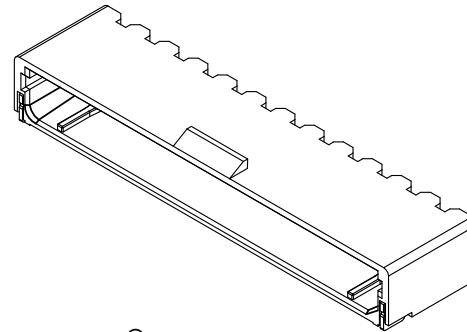
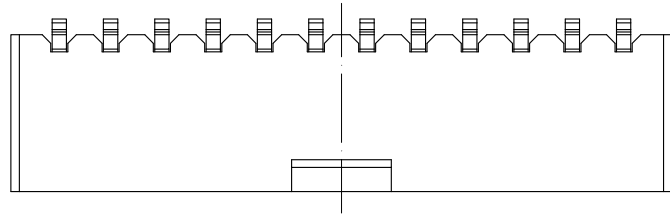


APPROVAL	CHECK	DRAWN	DATE
		Yangmeng	2019/05/10

PART NO. 1804TF-P03SX-XXQ				
TITLE 1.80mm Crimp Style Connectors				
UNIT	SCALE	SHEET	REV	NUMBER
mm	1:1	1/1	D	A-000

RoHS

This products can apply to the SWB Doc NO. QA-3-04-005 of Environmental&Material Management Rules



Recommended P.C.B Layout
General Tolerance±0.05

Specifications :

- Voltage rating: 350V AC / DC
- Current rating: See the table below
- Withstanding voltage: 1700V AC/minute
- Temperature range: -40°C~+105°C
- Insulation resistance:≥1000MΩ
- Contact resistance: ≤10mΩ
- After environmental testing: ≤20mΩ
- Material(Pin&Solder tab): Brass
- Mates With SWB Housing1804HM-1xXX-N0BBH01Q

1804 W R S-1xXX -XX X B 05 R H 001 Q

① ② ③ ④ ⑤ ⑥ ⑦ ⑧ ⑨ ⑩ ⑪ ⑫ ⑬

- ① Series No.
- ② Category: W-Wafer
- ③ Connector Type: R-90°
- ④ Mouting Type: S-SMT
- ⑤ Row No.-Pin No Per Row.: 1xXX-Single Row
- ⑥ Material: 4T-PA4T 94V-0
- ⑦ Color : N-Natural B-Black
- ⑧ Metal material: B-Brass
- ⑨ Plating Code: 05- Matt Tin Plating(Ni 50u", Tin100u" Min)
- ⑩ Packing: R-Reel
- ⑪ Green code: H-Halogen-free
- ⑫ Sequence Number: 001
- ⑬ Special code :Q-Automotive Connectors



Poles	Dimensions (mm)		Current rating		
	A	B	22#	24#	26#
03	7.00	3.60			
04	8.80	5.40			
05	10.60	7.20			
06	12.40	9.00	4.5A	4A	2A
07	14.20	10.80			
08	16.00	12.60			
09	17.80	14.40			
10	19.60	16.20			
11	21.40	18.00			
12	23.20	19.80	3.5A	2A	2A

					<p>GENERAL TOLERANCE</p> <p>.X ±0.35</p> <p>.XX ±0.25</p> <p>.XXX ±0.15</p> <p>X° ±2°</p>				<p>东莞市思索连接器有限公司</p> <p>SWB CONNECTORS CO.,LTD</p>				<p>PART NO.</p> <p>1804WRS-1xXX-4TNB05BR001Q</p>												
					<p>APPROVAL</p> <p>Robing</p>				<p>CHECK</p> <p>Joshua</p>				<p>DRAWN</p> <p>Oneh</p>				<p>DATE</p> <p>2018/11/24</p>				<p>TITLE 1.80mm Wafer Connector</p>				
19.05.10	B	EN20200417001	Update Drawing	Mali	Joshua						UNIT	SCALE	SHEET	REV	NUMBER										
DATE	REV	ECN NO	DESCRIPTION	MODIFY	APPROVAL						mm	1:1	1/1	B	A-000										