

RoHS

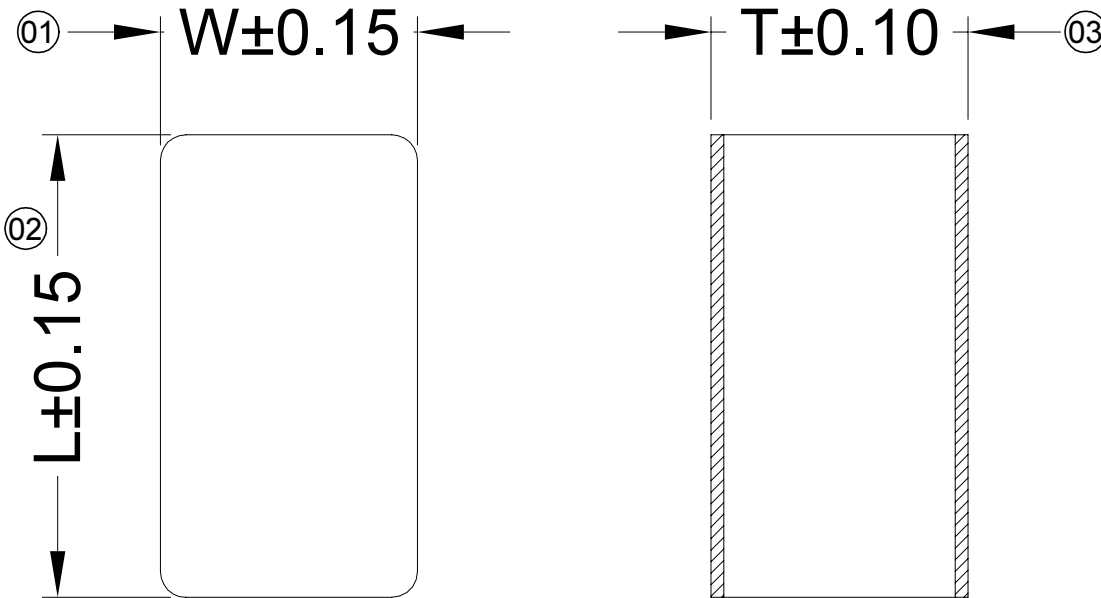
This products can apply to the SWB Doc NO. QA-3-04-005 of Environmental&Material Management Rules



GP-X-P SW-HF

- ① ② ③ ④ ⑤ ⑥

- ① Category: G-Gasket
- ② Plastic material: P-FR4
- ③ Special No.: X-L*W*T
- ④ Material: P-Copper foil
- ⑤ Planting Category: SW-Matte tin Plating
- ⑥ HF-Halogen Free



PART NO	Dimensions (mm)			PART NO	Dimensions (mm)		
	L	W	T		L	W	T
GPA-PSW-HF	1.80	1.80	1.00	GPS-PSW-HF	2.00	1.50	1.00
GPB-PSW-HF	3.00	1.50	1.20	GPT-PSW-HF	1.40	1.40	1.10
GPC-PSW-HF	2.00	1.50	0.80	GPU-PSW-HF	1.80	1.00	1.20
GPD-PSW-HF	3.00	2.00	1.20	GPV-PSW-HF	4.00	4.00	1.30
GPE-PSW-HF	2.40	1.20	1.00	GPW-PSW-HF	3.00	2.00	1.10
GPF-PSW-HF	3.00	2.00	0.80	GPY-PSW-HF	1.40	1.00	0.80
GPG-PSW-HF	2.00	2.00	1.20	GPZ-PSW-HF	0.98	0.98	1.00
GPH-PSW-HF	2.00	2.00	1.00	GP1-PSW-HF	3.00	1.00	1.10
GPI-PSW-HF	2.00	2.00	0.80	GP2-PSW-HF	3.00	1.00	1.20
GPJ-PSW-HF	1.80	1.00	1.00	GP3-PSW-HF	3.00	1.00	1.00
GPK-PSW-HF	1.80	1.00	0.80	GP4-PSW-HF	5.00	5.00	1.00
GPL-PSW-HF	1.80	1.20	1.20	GP5-PSW-HF	5.00	5.00	0.80
GPM-PSW-HF	4.00	3.00	1.20	GP6-PSW-HF	1.40	1.00	1.20
GPN-PSW-HF	2.00	2.00	1.30	GP7-PSW-HF	3.00	2.00	1.00
GPO-PSW-HF	3.00	2.00	1.30	GP8-PSW-HF	3.00	1.50	1.10
GPP-PSW-HF	1.40	1.00	1.00	GP9-PSW-HF	3.00	1.50	1.00
GPQ-PSW-HF	5.00	2.00	1.30	GP10-PSW-HF	2.00	1.00	0.80
GPR-PSW-HF	5.00	2.00	1.20				

					GENERAL TOLERANCE .X ±0.30 .XX ±0.20 .XXX ±0.10 X.° ±2°				东莞市思索连接器有限公司 SWB CONNECTORS CO.,LTD				PART NO. GPX-PSW-HF																																																																		
					APPROVAL				CHECK				DRAWN				DATE				TITLE 垫片																																																										
DATE					REV					ECN NO.					DESCRIPTION					MODIFY					APPROVAL					PROJECT					Smrk					Guo					sylvia					2015/06/30					UNIT MM					SCALE 1/1					SHEET 1:1					REV A-000					NUMBER B				

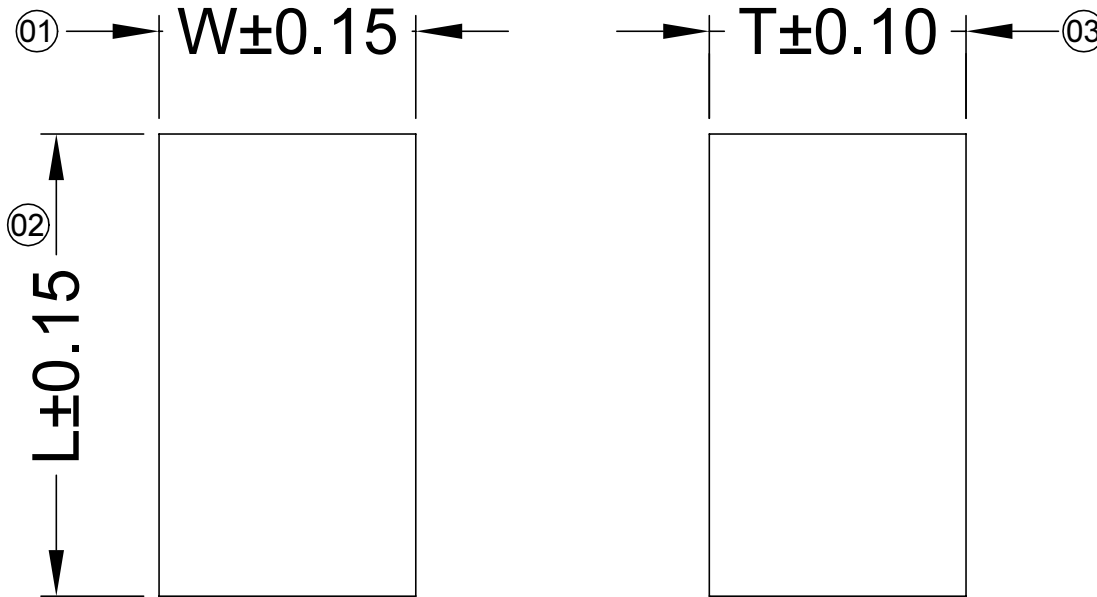
RoHS

This products can apply to the SWB Doc NO. QA-3-04-005 of Environmental&Material Management Rules

G-X-B SW

- ① ② ③ ④

- ① Category: G-Gasket
- ② Special No.: X-L*W*T
- ③ Material: B-Brass
- ④ Planting Category: SW-Matte tin Plating



PART NO	Dimensions (mm)		
	L	W	T
GA-BSW	4.00	4.00	1.20
GB-BSW	4.00	4.00	1.00
GC-BSW	4.00	4.00	0.80
GD-BSW	3.00	2.00	1.20
GE-BSW	3.00	2.00	1.00
GF-BSW	3.00	2.00	0.80
GG-BSW	2.00	2.00	1.20
GH-BSW	2.00	2.00	1.00
GI-BSW	2.00	2.00	0.80
GJ-BSW	1.80	1.00	1.00
GK-BSW	1.80	1.00	0.80
GL-BSW	1.80	1.20	1.20
GM-BSW	4.00	3.00	1.20
GN-BSW	1.40	1.00	1.00
GO-BSW	1.80	0.80	0.80
GP-BSW	1.40	0.80	0.80
GQ-BSW	3.00	1.20	1.20
GR-BSW	3.00	1.00	1.00
GS-BSW	2.00	1.50	1.00
GT-BSW	4.00	3.00	1.00

						GENERAL TOLERANCE .X ±0.30 .XX ±0.20 .XXX ±0.10 X.° ±2°		东莞市思索连接器有限公司 SWB CONNECTORS CO.,LTD				PART NO. GX-BSW				
2016/04/19		c		新开模, 修改外观		sylvia Joshua		APPROVAL				CHECK				
2015/08/19		B		为与客户统一标准, 特修改公差		sylvia Joshua		Smark				Joshua				
DATE	REV	ECN NO.	DESCRIPTION	MODIFY	APPROVAL	PROJECT										

TITLE 垫片				
UNIT	SCALE	SHEET	REV	NUMBER
mm	1:1	1/1	C	A-000

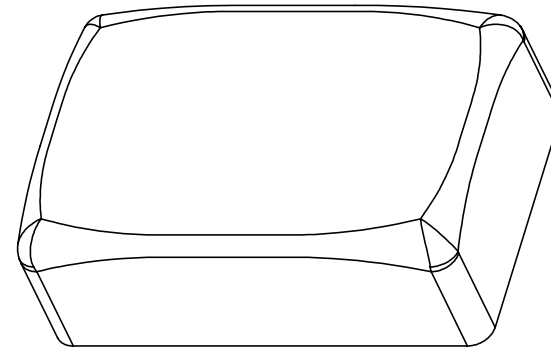
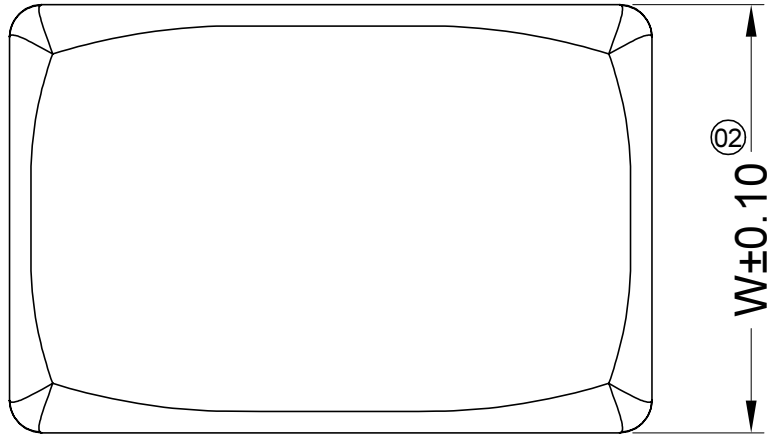
RoHS

This products can apply to the SWB Doc NO. QA-3-04-005 of Environmental&Material Management Rules

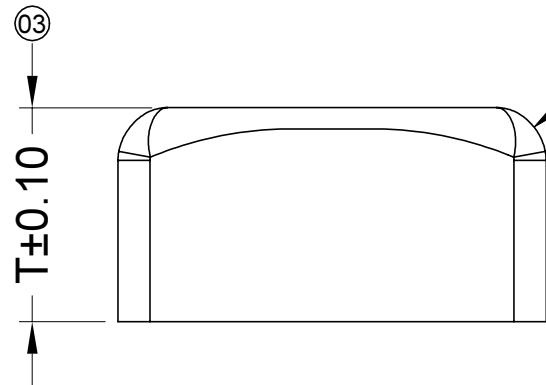
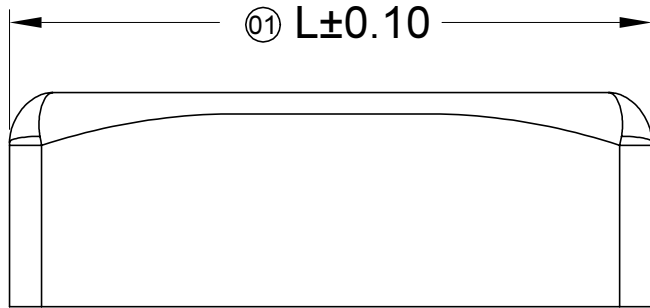
G -B SW- XX- Y
 ① ② ③ ④ ⑤

- ① Category: G-Gasket
- ② Material: B-Brass
- ③ Planting Category: SW-Matte tin Plating
- ④ Special No.: XX-L*W*T
- ⑤ Y-Rounded corner

PART NO	Dimensions (mm)		
	L	W	T
G-BSW-01-Y	4.00	4.00	1.20
G-BSW-02-Y	3.00	2.00	1.20
G-BSW-03-Y	3.00	2.00	1.00
G-BSW-04-Y	2.00	2.00	1.00
G-BSW-05-Y	4.00	4.00	1.00
G-BSW-06-Y	3.00	2.00	1.10



*包装时产品正面圆角朝上



④ 全周倒圆角
R0.30 Max

					GENERAL TOLERANCE .X ±0.30 .XX ±0.20 .XXX ±0.10 X.° ±2°				东莞市思索连接器有限公司 SWB CONNECTORS CO.,LTD				PART NO. G-XXX-XX-Y																
					PROJECT 				APPROVAL Smark				CHECK Guo				DRAWN Jacky				DATE 2018/01/08				TITLE 金属垫片, 正面倒圆角				
DATE	REV	ECN NO.	DESCRIPTION	MODIFY	APPROVAL					UNIT	SCALE	SHEET	REV	NUMBER															
1										mm	1:1	1/1	C	A-000															