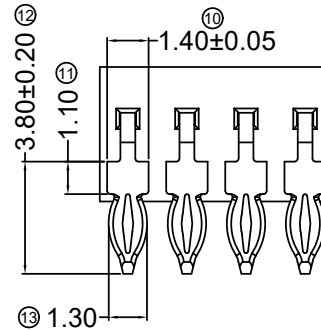
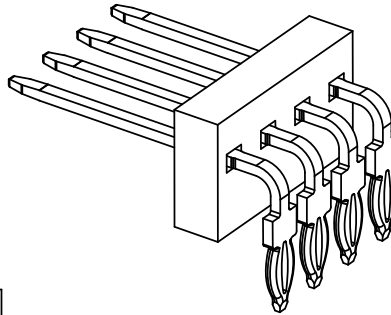
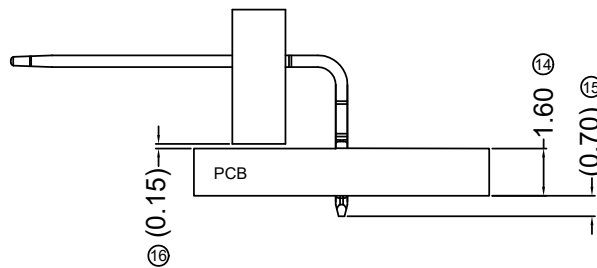
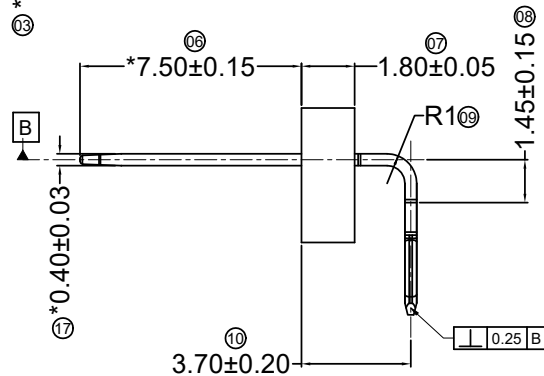
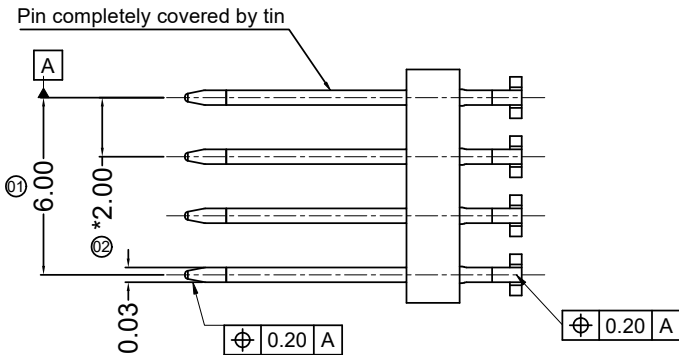
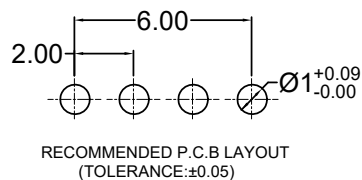
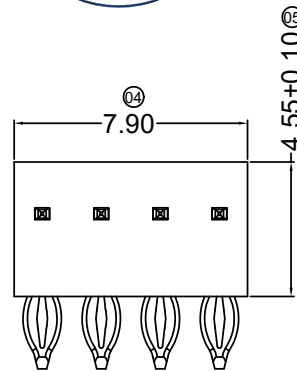


RoHS

This products can apply to the SWB Doc NO. QA-3-04-005 of Environmental&Material Management Rules



- Electrical Properties
  - Starting current 4.5A for 3s
  - Nominal Current 650mA
  - Temperature properties:
    - Storage temperature: -40°C ~ +90°C
    - Operating temperature -40°C ~ +80°C
    - Functional temperature: -20°C ~ +60°C
  - Mechanical Properties
    - Push our force from plastic before temperature treatment: >= 10N
    - Assembly force into PCB of each pin: <=110N (Goal to achieve <=100N)
    - Push out force from PCB of each pin: >=20N
  - Plating:
    - 0.4-1.5µm Sn over 0.8-1.3µm Ni
    - Surface: Matte
  - Material:
    - Plastic: PA4T UL94V-0, Black color.
    - Metall: Cu-Alloy

4603 W R X- 04 Y - 4T SW BK R  
 ① ② ③ ④ ⑤ ⑥ ⑦ ⑧ ⑨ ⑩

- ① Series No.
- ② Category: W - wafer
- ③ Connector Type: R - Right Angle 90°
- ④ Mouting Type: Dip - Vacant Code
- ⑤ Row No.-Pin No: 04-4Pin
- ⑥ Special code: Y - fish-eye welding - free construction
- ⑦ Plastic material: 4T - PA4T 94V0 HF
- ⑧ Plating Code: SW - Ni32~52u", Matt-Tin 16~60Uu"
- ⑨ Color: BK- Black;
- ⑩ Packing: R - Reel;

					GENERAL TOLERANCE .X ±0.30 .XX ±0.20 .XXX ±0.10 X.° ±2°				东莞市思索连接器有限公司 SWB CONNECTORS CO.,LTD				PART NO. 4603WR-04Y-4TSWBKR																										
					APPROVAL Robing				CHECK YYting				DRAWN Alan_qin				DATE 2017/08/25																						
PROJECT Robing															TITLE Pin Header 1 rows 4Pins 90° Press-Fit																								
DATE 2020.7.22					REV B					ECN NO. ER20200722001					DESCRIPTION Update Drawing Frame					MODIFY YYting					APPROVAL Robing														
															UNIT mm					SCALE 1:1					SHEET 1/1					REV B					NUMBER A-000				