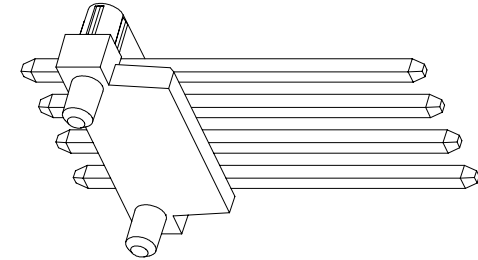
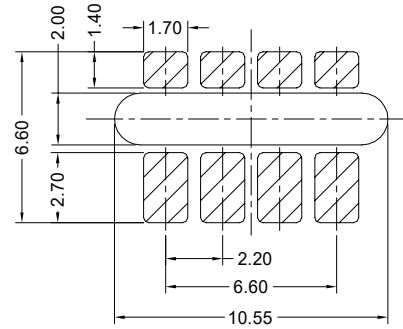
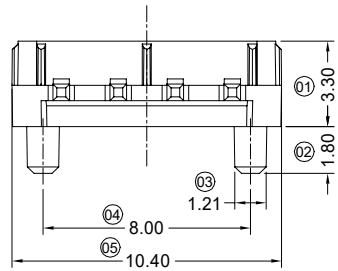
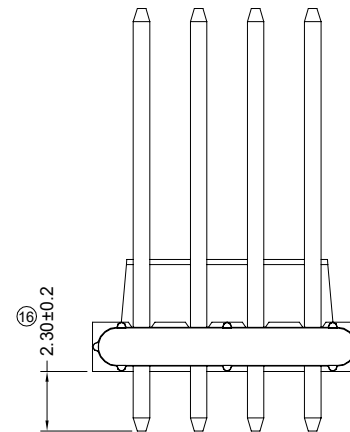
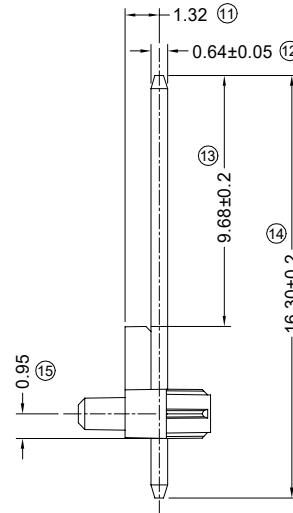
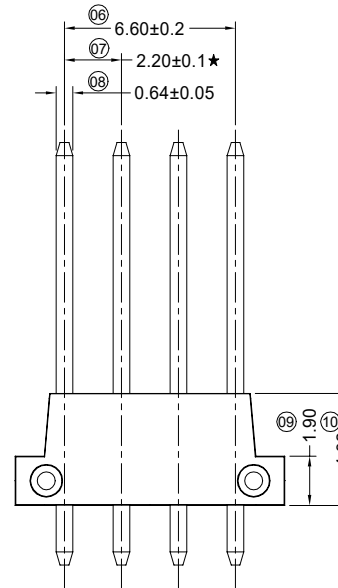


RoHS

This products can apply to the SWB Doc NO. QA-3-04-005 of Environmental&Material Management Rules



RECOMMENDED P.C.B LAYOUT (TOLERANCE:±0.05)



- Specifications :
- Voltage rating: 250V AC / DC
 - Current rating: 2A AC / DC
 - Withstanding voltage: 500V AC/minute
 - Insulation resistance: ≥1000MΩ
 - Contact resistance: ≤20mΩ
 - After environmental testing: ≤30mΩ
 - Temperature range: -40°C~+105°C
 - "★" Critical dimension

2200 W V X - 1x04 - 9T B B 05 R R 001 Q
① ② ③ ④ ⑤ ⑥ ⑦ ⑧ ⑨ ⑩ ⑪ ⑫ ⑬

- ① Series No.
- ② Category: W-wafer
- ③ Welding Board Angle: V- Straight 180°
- ④ Welding form: Blank-DIP
- ⑤ Row No.-Pin No.: 1x04-Single Row 1x04Pin.
- ⑥ Plastic material: 9T- PA9T 94V-0
- ⑦ Color : B-Black
- ⑧ Metal material: B- Brass
- ⑨ Plating Category: 05-Matte Tin
- ⑩ Packag: R-Reel
- ⑪ Green code : R-RoHS
- ⑫ Water code: 001
- ⑬ Special code: Q-Automotive Connector

					<p>GENERAL TOLERANCE</p> <p>.X ±0.30</p> <p>.XX ±0.20</p> <p>.XXX ±0.10</p> <p>X.° ±2°</p>				<p>APPROVAL</p> <p>CHECK</p> <p>DRAWN</p> <p>DATE</p>				<p>PART NO.</p> <p>2200WV-1x04-9TBB05RR001Q</p>				
					<p>PROJECT</p>				<p>APPROVAL</p> <p>CHECK</p> <p>DRAWN</p> <p>DATE</p>				<p>TITLE</p> <p>2.20 mm Pin Header connectors</p>				
2020/08/03	B		Update Drawing Frame	Xue	Robing												
DATE	REV	ECN NO	DESCRIPTION	MODIFY	APPROVAL					Alan_qin	2018/12/20	UNIT	SCALE	SHEET	REV	NUMBER	
1	2	3	4	5	6	7	8	9	10	11	12	mm	1:1	1/1	B	A-000	



东莞市思索连接器有限公司
SWB CONNECTORS CO.,LTD

PART NO.
2200WV-1x04-9TBB05RR001Q
TITLE
2.20 mm Pin Header connectors
UNIT SCALE SHEET REV NUMBER
mm 1:1 1/1 B A-000