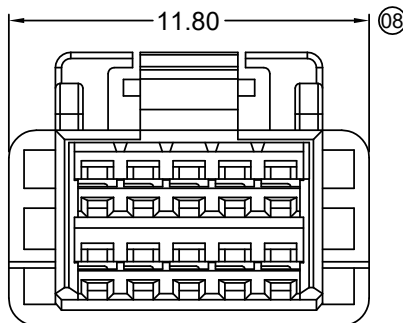
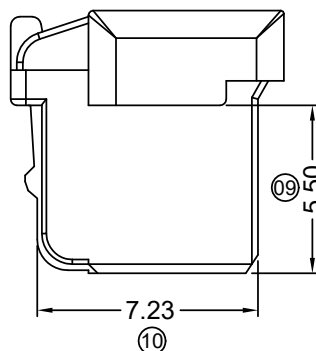
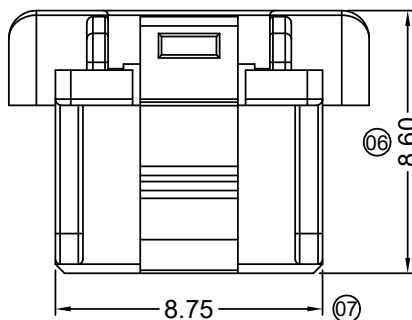
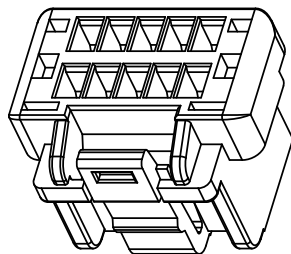
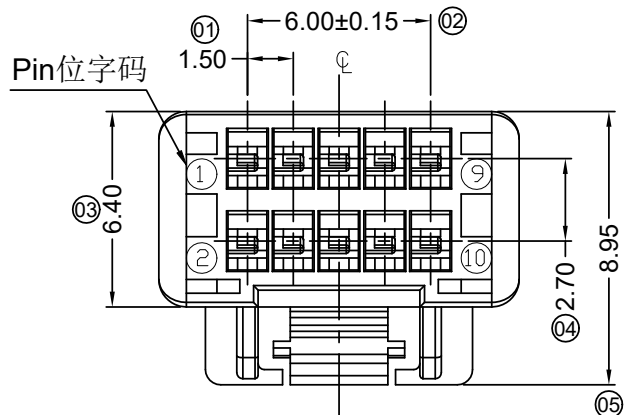


RoHS

This products can apply to the SWB Doc NO. QA-3-04-005 of Environmental&Material Management Rules



■ Specifications :

- Voltage rating: 100V AC / DC
- Current rating: 2A AC / DC
- Withstanding voltage: 500V AC/minute
- Temperature range: -40°C~+105°C
- Insulation resistance: ≥500MΩ
- Contact resistance: ≤20mΩ
- After environmental testing: ≤40mΩ
- Mates With SWB Housing: 1515T

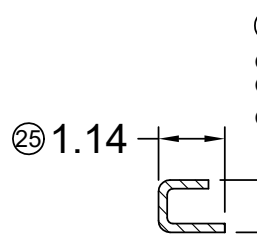
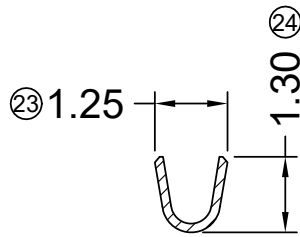
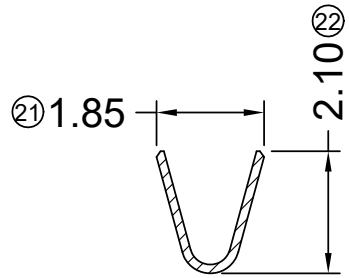
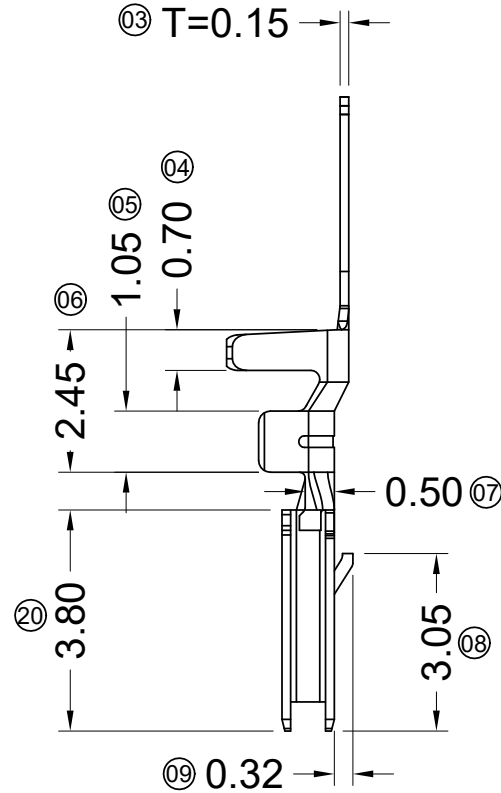
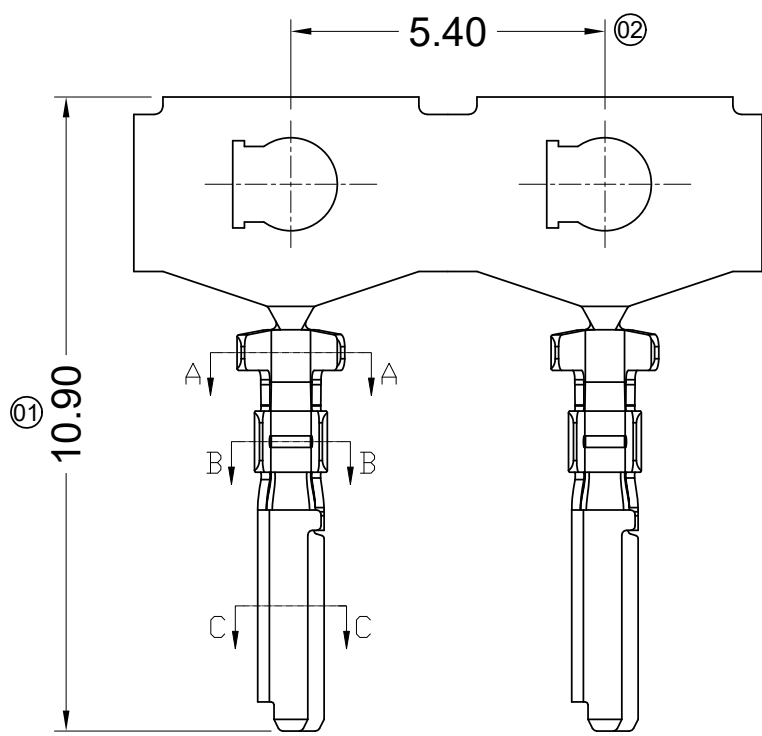
1515 H X - 2*XX X - PT XX
 ① ②③ ④ ⑤ ⑥ ⑦

- ① Series No.
- ② Category: H-HSG
- ③ Appearance type: Blank-Ordinary
- ④ Row No.-Pin No.: 2*05- 2*5PIN
- ⑤ Plug the Pin & Special No. Blank-Ordinary
- ⑥ Material : PT-PBT 94V-0
- ⑦ Color: Blank-Natural Color

					GENERAL TOLERANCE .X ±0.30 .XX ±0.20 .XXX ±0.10 X.° ±2°				东莞市思索连接器有限公司 SWB CONNECTORS CO.,LTD				PART NO. 1515H-2*05-PT																
					APPROVAL Robing				CHECK YYting				DRAWN Alan qin				DATE 2017/03/17				TITLE 1.50mm Crimp Style Connectors								
2020.3.17	B	EN20200317002	Update Drawing Frame	YYting	Robing	PROJECT				UNIT				SCALE				SHEET				REV				NUMBER			
DATE	REV	ECN NO.	DESCRIPTION	MODIFY	APPROVAL	PROJECT				UNIT				SCALE				SHEET				REV				NUMBER			
1						Robing				YYting				Alan qin				2017/03/17				mm 1:1 1/1 B A-000							

RoHS

This products can apply to the SWB Doc NO. QA-3-04-005 of Environmental&Material Management Rules

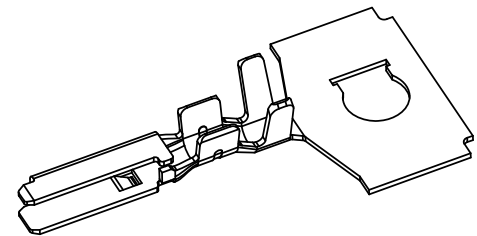


Specifications :

- Voltage rating: 100V AC / DC
- Current rating: 2A AC / DC
- Withstanding voltage: 500V AC/minute
- Temperature range: -40°C~+105°C
- Insulation resistance: ≥500MΩ
- Contact resistance: ≤20mΩ
- After environmental testing: ≤40mΩ
- Material(Pin): Phosphor bronze
- Mates With SWB Housing: 1515H

1515 T X - P SN X - X
 ① ② ③ ④ ⑤ ⑥ ⑦

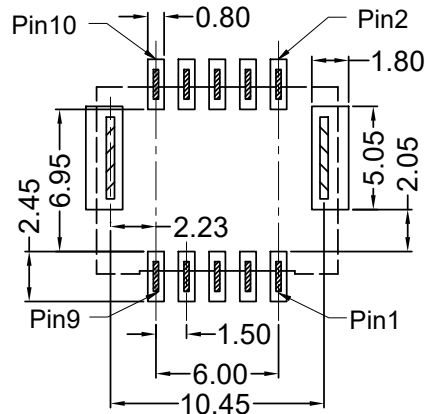
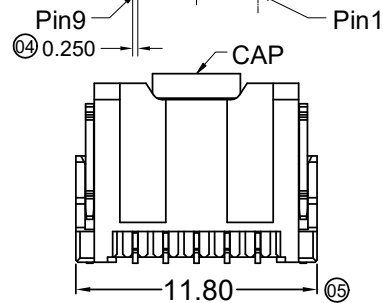
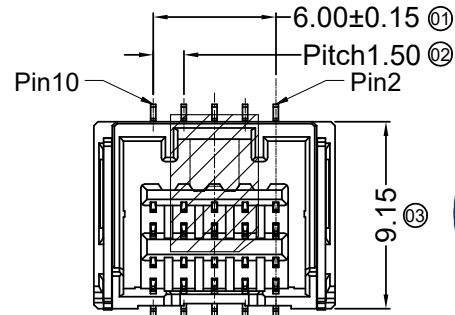
- ① Series Number
- ② Category: T-terminal
- ③ Shape: Blank-ordinary
- ④ Material: P-Phosphor bronze
- ⑤ Plating code: SN-Bright tin plating
- ⑥ Plating method:
Blank-Stamping before plating
- ⑦ Mold No./Mark/Special No.



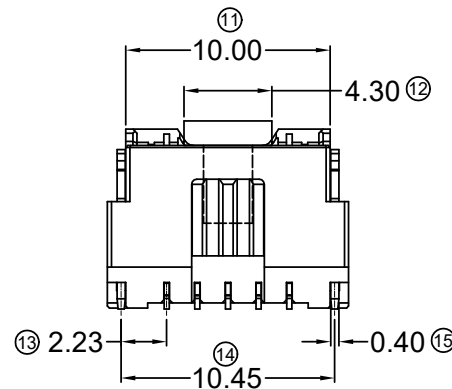
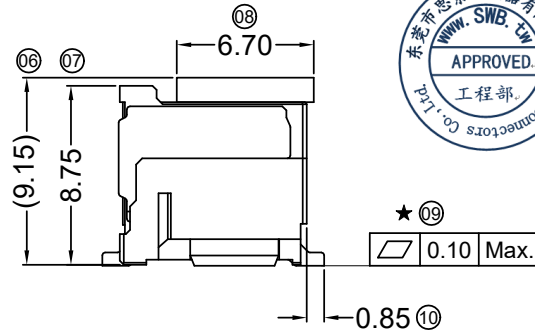
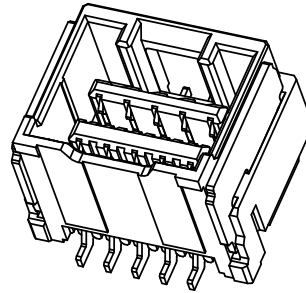
						<p>GENERAL TOLERANCE</p> <p>.X ±0.30</p> <p>.XX ±0.20</p> <p>.XXX ±0.10</p> <p>X.° ±2°</p>				<p>东莞市思索连接器有限公司</p> <p>SWB CONNECTORS CO.,LTD</p>				<p>PART NO. 1515T-PSN</p>															
						<p>APPROVAL</p> <p>Robing</p>				<p>CHECK</p> <p>YYting</p>				<p>DRAWN</p> <p>Wuxiaotao</p>				<p>DATE</p> <p>2018/06/05</p>				<p>TITLE 1.50mm Crimp Style Connectors</p>							
2020.3.17	D	EN20200317002	Update Drawing Frame	YYting	Robing																								
DATE	REV	ECN NO.	DESCRIPTION	MODIFY	APPROVAL	PROJECT				UNIT				SCALE				SHEET				REV				NUMBER			
1										mm				1:1				1/1				D				A-014			

RoHS

This products can apply to the SWB Doc NO. QA-3-04-005 of Environmental&Material Management Rules



RECOMMENDED P.C.B LAYOUT (TOLERANCE:±0.05)




Rear View

Specifications :

- Voltage rating: 100V AC / DC
- Current rating: 2A AC / DC
- Withstanding voltage: 500V AC/minute
- Temperature range: -40°C~+105°C
- Insulation resistance: ≥500MΩ
- Contact resistance: ≤20mΩ
- After environmental testing: ≤40mΩ
- Material(Pin): Phosphor bronze
- Material(Stator): Brass
- Mates With SWB Housing: 1515H-2*05

1515 W V S - 2*05 X- LP SW XX
 (1) (2) (3) (4) (5) (6) (7) (8) (9)

- ① Series No.
- ② Category: W-wafer
- ③ Welding Board Angle: V- Straight 180°
- ④ Welding Way: S-SMT
- ⑤ Row No.-Pin No.: 2*05-2*05P
- ⑥ Plug the Pin & Special No.:
- ⑦ Material: LP -LCP 94V-0 ;
- ⑧ Planting Category: SW- Matte Tin Plating
- ⑨ Color: Blank-Natural Color

						 东莞市思索连接器有限公司 SWB CONNECTORS CO.,LTD				PART NO. 1515WVS-2*05-LPSW TITLE 1.50mm Crimp Style Connectors				
						GENERAL TOLERANCE .X ±0.30 .XX ±0.20 .XXX ±0.10 X.° ±2°				APPROVAL CHECK DRAWN DATE Robing YYting Alan qin 2017/03/17				
2020.3.17	B	EN20200317002	Update Drawing Frame	YYting	Robing					UNIT	SCALE	SHEET	REV	NUMBER
DATE	REV	ECN NO.	DESCRIPTION	MODIFY	APPROVAL					mm	1:1	1/1	B	A-000