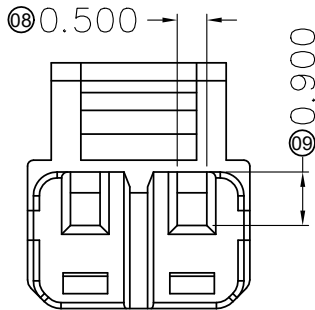
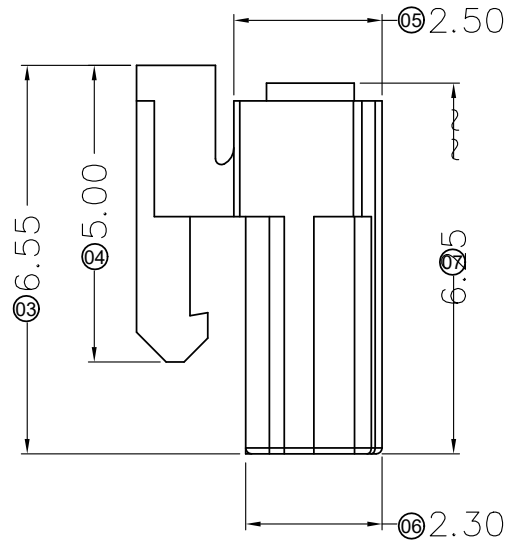
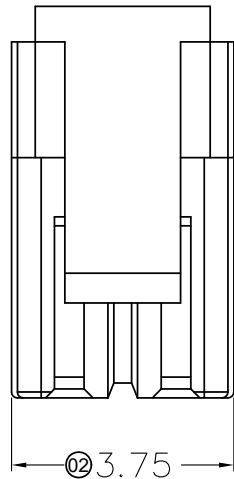
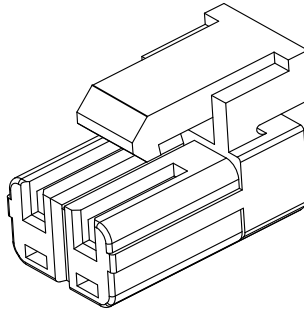
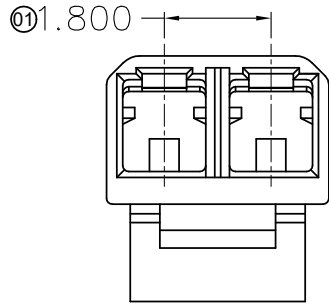


RoHS

This products can apply to the SWB Doc NO. QA-3-04-005 of Environmental&Material Management Rules



■ Specifications :

- Voltage rating: 350V AC / DC
- Current rating: 3.2A AC / DC
- Withstanding voltage: 1700V AC/minute
- Temperature range: -40°C~+105°C
- Insulation resistance:≥1000MΩ
- Contact resistance: ≤10mΩ
- After environmental testing: ≤20mΩ
- Suitable SWB Terminal:1800T-BX
- Suitable SWB Wafer: 1800WRS-02B

1800 H -02 B-N0 HF

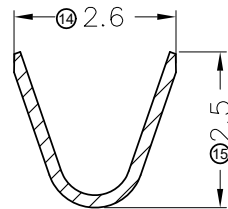
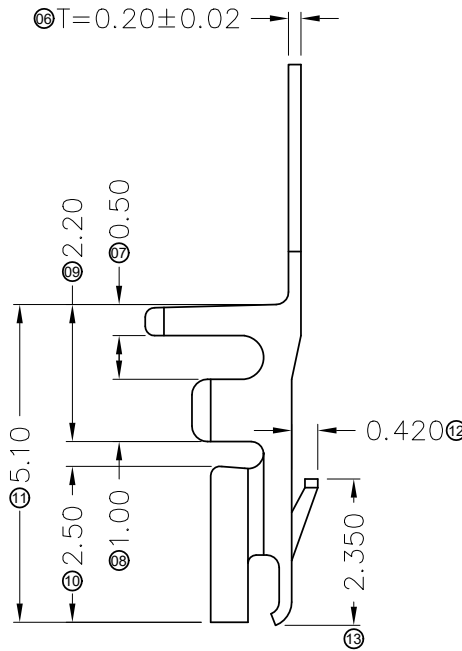
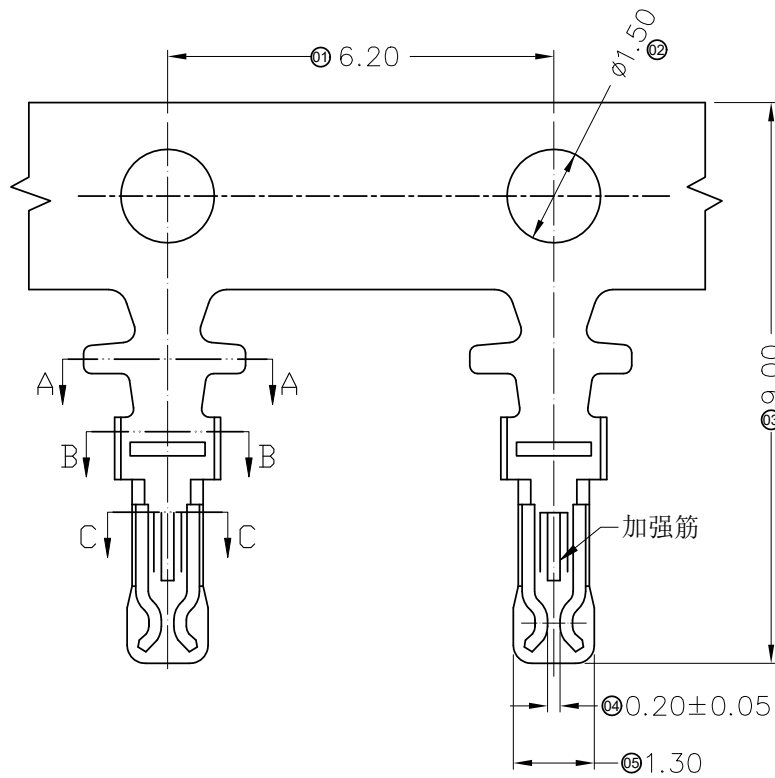
① ② ③ ④ ⑤ ⑥

- ① Series No
- ② Category: H-HSG
- ③ Row No.-Pin No.: 02-02P
- ④ Special No: B-Short Body With Lock
- ⑤ Material: N0-PA66 94V-0
- ⑥ HF-Halogen Free

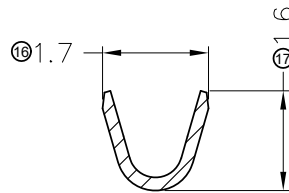
2020/03/17	F	EN20200317003	Update Drawing Frame, The Same ECR And ECN NO	Zeng	Robing	GENERAL TOLERANCE .X ±0.30 .XX ±0.20 .XXX ±0.10 X.° ±2°	东莞市思索连接器有限公司 SWB CONNECTORS CO.,LTD				PART NO. 1800H-02B-N0HF				
2017/11/21	E	ER20171121001	Drawing finish	Yu wei	Jacky						APPROVAL				TITLE 1.80mm Crimp Style Connectors
2017/08/17	D	ER20170817001	Add Fillet	Alan qin	Tang		CHECK				SCALE	SHEET	REV	NUMBER	
DATE	REV	ECN NO.	DESCRIPTION	MODIFY	APPROVAL		PROJECT	Smak	Guo	Sylvia	DATE	1:1	1/1	F	A-022

RoHS

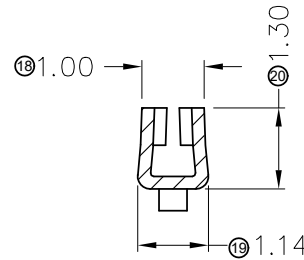
This products can apply to the SWB Doc NO. QA-3-04-005 of Environmental&Material Management Rules



SECTION A-A  
SCALE 1:1



SECTION B-B  
SCALE 1:1



SECTION C-C  
SCALE 1:1

■ Specifications :

- Voltage rating: 350V AC / DC
- Current rating: 3.2A AC / DC
- Withstanding voltage: 1700V AC/minute
- Temperature range: -40°C~+105°C
- Insulation resistance: ≥1000MΩ
- Contact resistance: ≤10mΩ
- After environmental testing: ≤20mΩ
- Wire Size: AWG#22~26 (0.35~0.13mm<sup>2</sup>)
- Insulation O.D.: 1.30mm Max
- Used In SWB Housing: 1800H-02B

1800 T X-P SN-B  
① ② ③ ④ ⑤ ⑥

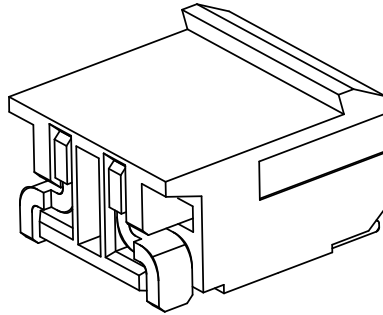
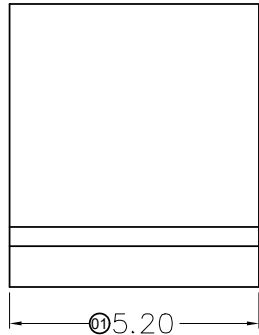
- ① Series Number
- ② Category: T-terminal
- ③ Shape: Blank-ordinary
- ④ Material: P-Phosphor bronze
- ⑤ Plating Code: SN-Bright tin plating
- ⑥ B-B TYPE



					<p>GENERAL TOLERANCE</p> <p>.X ±0.35</p> <p>.XX ±0.25</p> <p>.XXX ±0.15</p> <p>X.° ±2°</p>				<p>东莞市思索连接器有限公司</p> <p>SWB CONNECTORS CO.,LTD</p>				<p>PART NO. 1800T-PSN-B</p>				
					<p>APPROVAL</p> <p>CHECK</p> <p>DRAWN</p> <p>DATE</p>				<p>TITLE</p> <p>1.80mm Crimp Style Connectors</p>								
2020/03/17	B	EN20200317003	Update Drawing Frame	Zeng	Robing	Sylvia		2018/08/01			UNIT	SCALE	SHEET	REV	NUMBER		
DATE	REV	ECN ON.	DESCRIPTION	MODIFY	APPROVAL	PROJECT					mm	1:1	1/1	B	A-000		

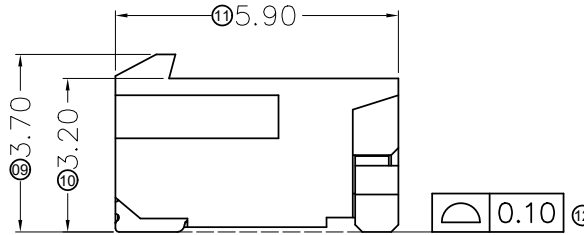
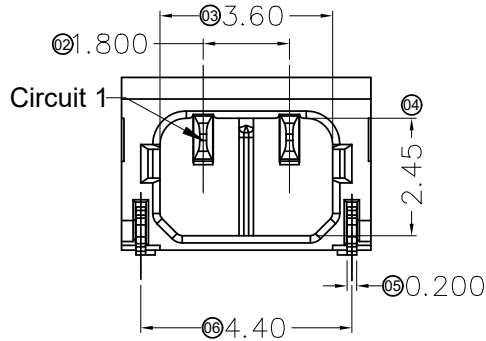
RoHS

This products can apply to the SWB Doc NO. QA-3-04-005 of Environmental&Material Management Rules



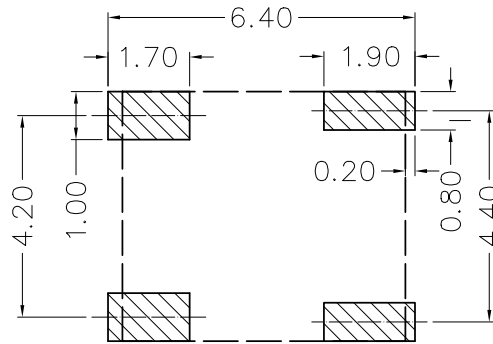
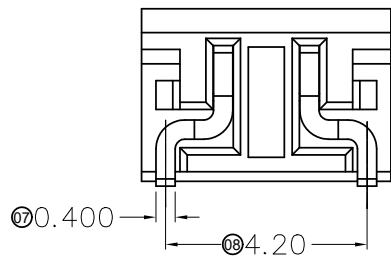
**Specifications :**

- Voltage rating: 350V AC / DC
- Current rating: 4A AC / DC
- Withstanding voltage: 1700V AC/minute
- Temperature range: -40°C~+105°C
- Insulation resistance: ≥1000MΩ
- Contact resistance: ≤30mΩ
- After environmental testing\*\* ≤40mΩ
- Material(Pin&Solder tab):Brass
- Mates With SWB Housing:1800H-02B



1800 W R S-02 B -4T SW XX  
① ② ③ ④ ⑤ ⑥ ⑦ ⑧ ⑨

- ① Series No.
- ② Category: W-WAFER
- ③ Connector Type: R-Right Angle 90°
- ④ Mounting Type: S-SMT
- ⑤ Row No.-Pin No.: 02-02P
- ⑥ Special No.: B-With Lock
- ⑦ Material: 4T -PA4T 94V-0
- ⑧ Plating Code: SW-Matte Tin Plating
- ⑨ Color : Blank-Natural Color



Recommended P.C.B Layout  
General Tolerance±0.05



2020/03/17	D	EN20200317003	Update Drawing Frame, The Same ECR And ECN NO	Zeng	Robing	<b>GENERAL TOLERANCE</b> .X ±0.30 .XX ±0.20 .XXX ±0.10 X.° ±2°	<b>东莞市思索连接器有限公司</b> SWB CONNECTORS CO.,LTD				PART NO. 1800WRS-02B-4TSW					
2017/11/21	C	EN20171121001	Drawing finish	Yu wei	Jacky						APPROVAL				TITLE 1.80mm Crimp Style Connectors	
2016/10/11	B	EN20161011001	塑胶尾部增加倒角, 改善IR后断裂	sylvia	Jacky		APPROVAL				CHECK	DRAWN	DATE			
DATE	REV	ECN NO.	DESCRIPTION	MODIFY	APPROVAL		PROJECT	Smark	Guo	LZX	2016/04/11	UNIT	SCALE	SHEET	REV	NUMBER
											mm	1:1	1/1	D	A-000	