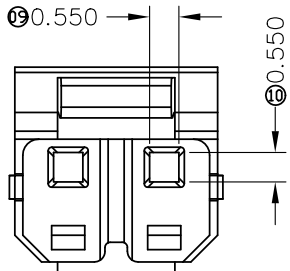
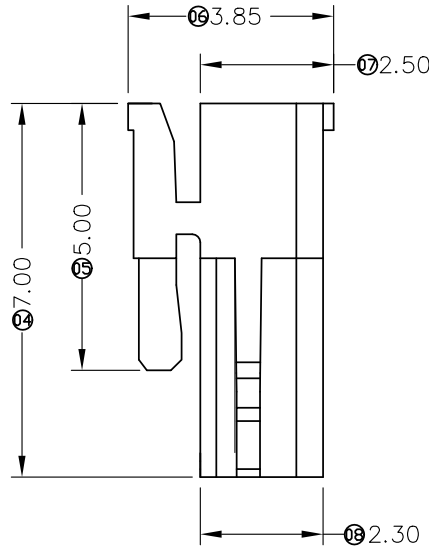
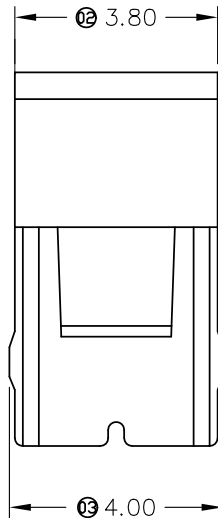
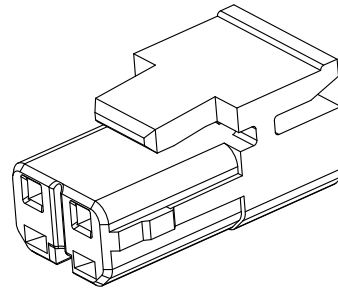
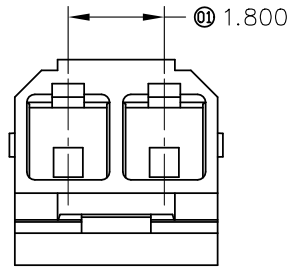


RoHS

This products can apply to the SWB Doc NO. QA-3-04-005 of Environmental&Material Management Rules



■ Specifications :

- Voltage rating: 350V AC / DC
- Current rating: 3.2A AC / DC
- Withstanding voltage: 1700V AC/minute
- Temperature range: -40°C~+105°C
- Insulation resistance: ≥1000MΩ
- Contact resistance: ≤10mΩ
- After environmental testing: ≤20mΩ

- Suitable SWB Terminal: 1800TX-PSN-A
- Suitable SWB Wafer: 1800WRS-02A
- Suitable SWB Female Housing: 1804HF-1x02

1800 H X-02 A-N0 HF XX
① ② ③ ④ ⑤ ⑥ ⑦ ⑧

- ① Series No.
- ② Category: H-HSG
- ③ Welding Board Angle: Blank-ordinary
- ④ Row No.-Pin No.: 02-02P
- ⑤ Special No.: A-With Lock
- ⑥ Material: N0-PA66 94V-0
- ⑦ HF-Halogen free
- ⑧ None-Natural Color ; BK-Black Color



2020/03/17	E	EN20200317003	Update Drawing Frame, The Same ECR And ECN NO	Zeng	Robing
2018/06/13	D		Add black color	Joshua	Smark
2017/11/21	C	EN20171121001	Drawing finish	Yu wei	Jacky
DATE	REV	ECN NO.	DESCRIPTION	MODIFY	APPROVAL

GENERAL TOLERANCE	
.X	±0.30
.XX	±0.20
.XXX	±0.10
X.°	±2°
PROJECT	
①	②
Smark	Guo


东莞市思索连接器有限公司
SWB CONNECTORS CO.,LTD
 APPROVAL: Smark CHECK: Guo DRAWN: Wuxiaotao DATE: 2014/06/26

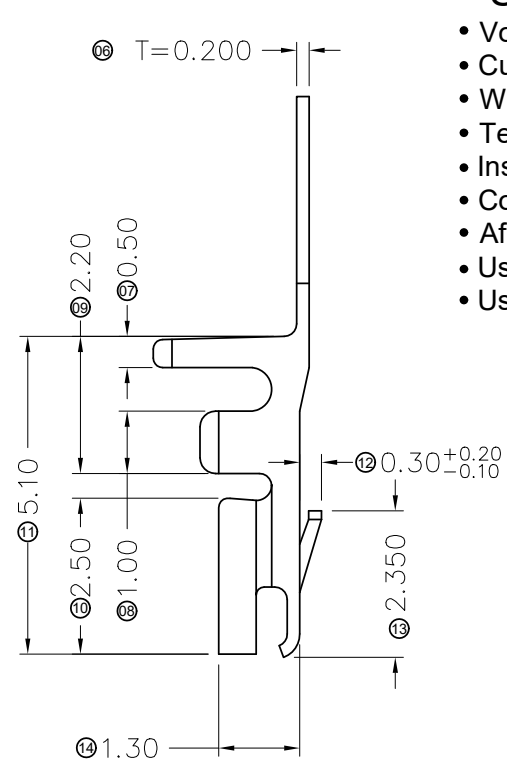
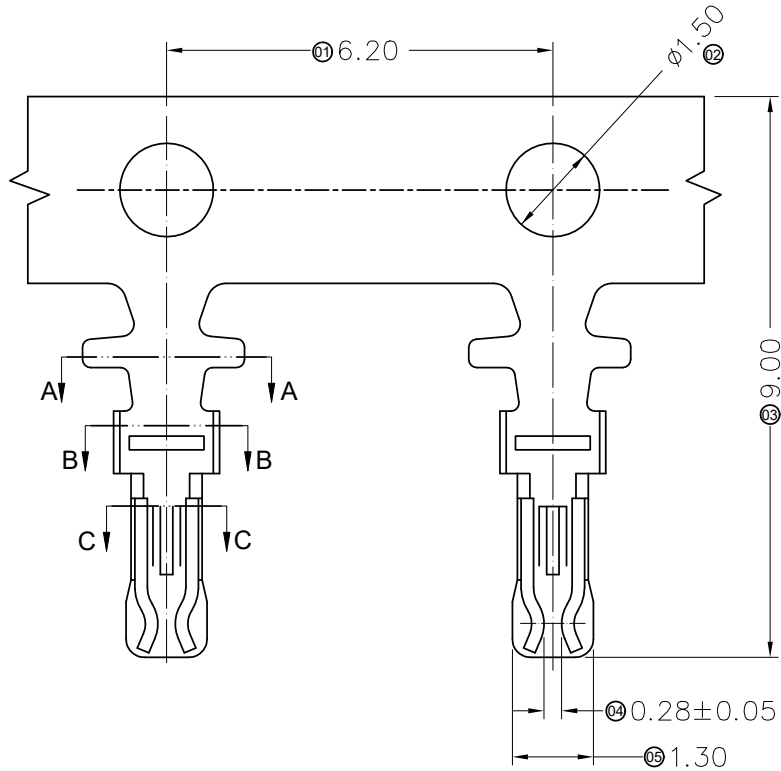
PART NO.				
1800H-02A-N0HFXX				
TITLE				
1.80mm Crimp Style Connectors				
UNIT	SCALE	SHEET	REV	NUMBER
mm	1:1	1/1	E	A-022

RoHS

This products can apply to the SWB Doc NO. QA-3-04-005 of Environmental&Material Management Rules

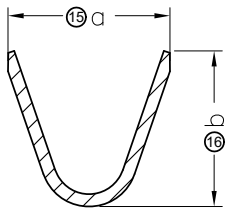
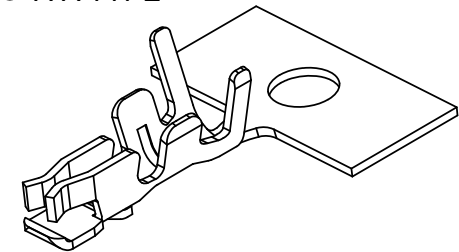
■ Specifications :

- Voltage rating: 350V AC / DC
- Current rating: 3.2A AC / DC
- Withstanding voltage: 1700V AC/minute
- Temperature range: -40°C~+105°C
- Insulation resistance: ≥1000MΩ
- Contact resistance: ≤10mΩ
- After environmental testing: ≤20mΩ
- Used In SWB Housing: 1800H-02/1800H-02A
- Used In SWB Wafer: 1800WRS-02/1800WRS-02A

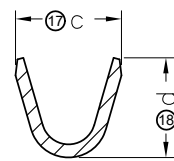


1800 T X- P SN X- A
① ② ③ ④ ⑤ ⑥ ⑦

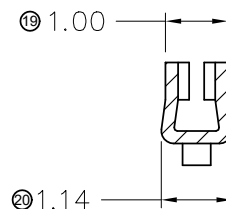
- ① Series Number
- ② Category: T-terminal
- ③ Shape: Blank-ordinary; L-Lower
- ④ Material: P-Phosphor bronze
- ⑤ Plating Style: SN-Bright tin plating
- ⑥ Plating Method :
Blank-Stamping before Plating
- ⑦ A-A TYPE



SECTION A-A
SCALE 1:1



SECTION B-B
SCALE 1:1



SECTION C-C
SCALE 1:1



1800T-PSN-A	AWG#22-26 (0.35~0.13mm ²)	0.95-1.30mm	2.6	2.5	1.7	1.6
1800TL-PSN-A	AWG#26-28	0.95 Max.	1.9	1.9	1.20	1.20
PART NO	Wire Size	Insulation O.D.	DIM a	DIM b	DIM c	DIM d

2020/03/17	H	EN20200317003	Update Drawing Frame, The Same CER And CEN NO	Zeng	Robing
2018/08/15	G	EN20180815001	Change the Part Number to 1800T-PSN-A	Sylvia	Smarm
2017/11/21	F	EN20171121001	Drawing finish	Yu wei	Jacky
DATE	REV	ECN NO.	DESCRIPTION	MODIFY	APPROVAL

GENERAL TOLERANCE	
.X	±0.30
.XX	±0.20
.XXX	±0.10
X.°	±2°
PROJECT	
Smarm	Joshua

东莞市思索连接器有限公司
SWB CONNECTORS CO.,LTD

APPROVAL: Smarm, CHECK: Joshua, DRAWN: Sylvia, DATE: 2014/01/17

PART NO. 1800TX-PSN-A				
TITLE 1.80mm Crimp Style Connectors				
UNIT	SCALE	SHEET	REV	NUMBER
mm	1:1	1/1	H	A-000

