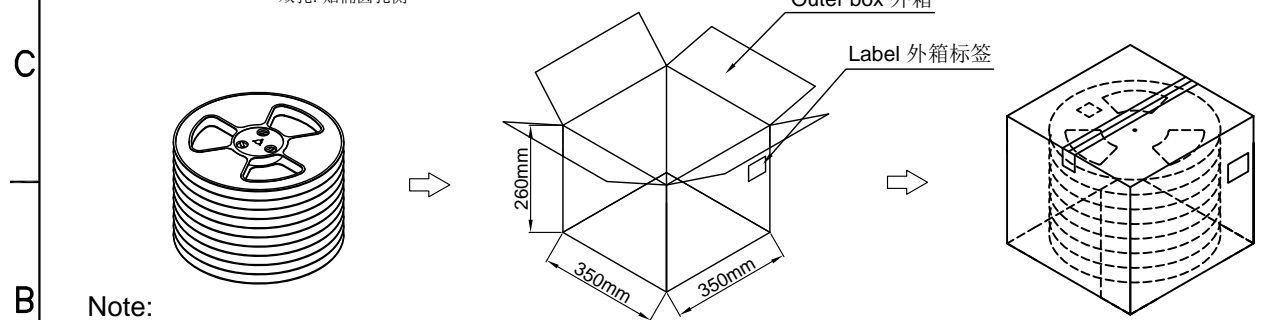
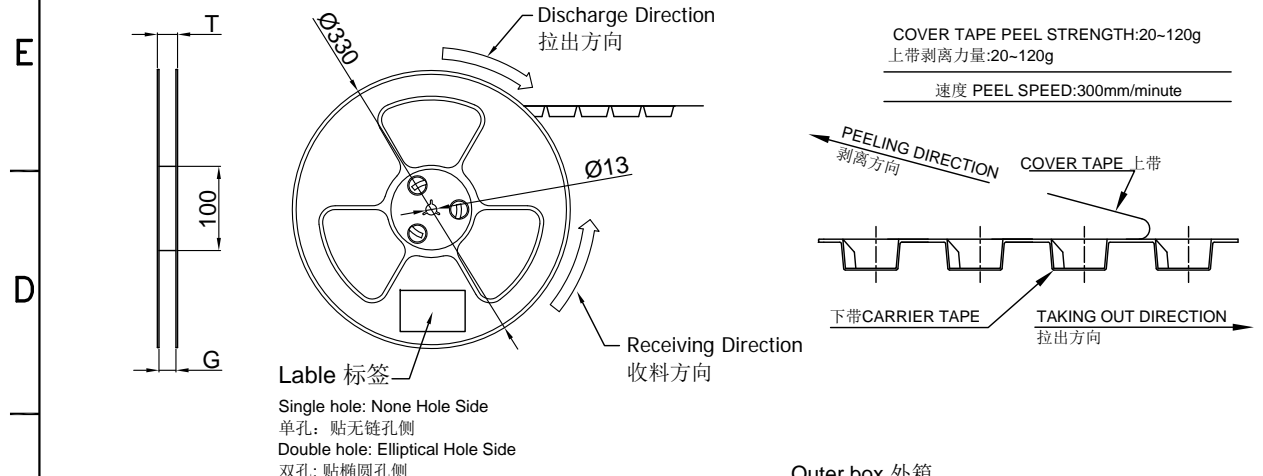
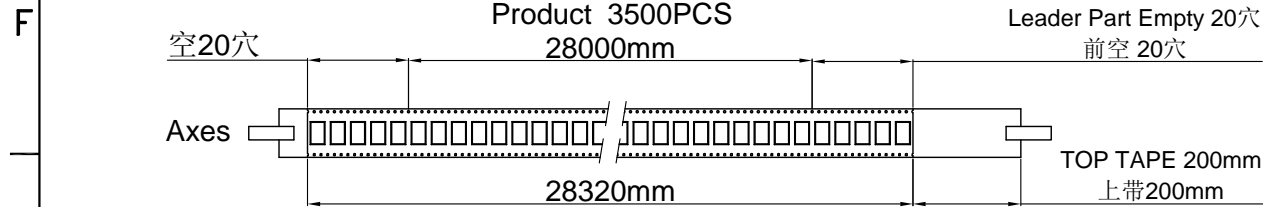


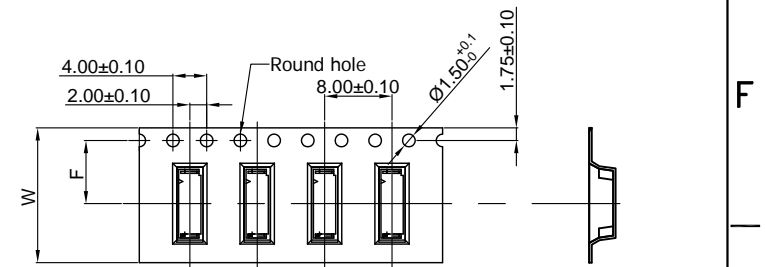
RoHS

This products can apply to the SWB Doc NO. QA-3-04-005 of Environmental&Material Management Rules

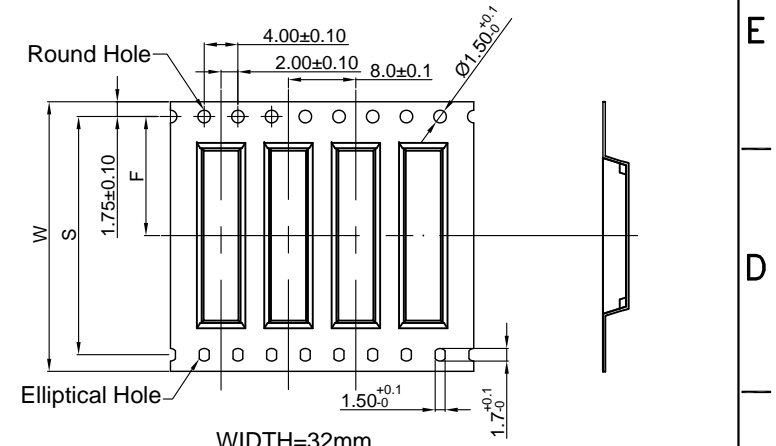


Note:

- Carrier Camber Is Within 1mm In 100mm ; 带长100mm内容许弯曲度1mm
- 10 Sprocket Hole Pitch Cumulative Tolerance±0.2MM ; 圆孔十个孔距离累计允许公差为±0.2mm
- Carrier tape material for PS ; 下带材质为PS材质; Color颜色:Natural透明色
- bracer保护带: Color颜色:Natural透明色,厚度0.40mm最小
- Thinkness=0.30±0.05 ; 材料厚度为0.30±0.05mm
- Carton material纸箱材质:K=K; Carton Thickness纸箱厚度: 6±1mm



WIDTH=12~24mm



Part No.	W	S	F	T (MAX)	G(MAX)	REEL /PCS	CARTON /R	CARTON /PCS
ZD0800WRS-02	12	/	5.50	16.50	12.40	3500	13R	45.5K
ZD0800WRS-03								
ZD0800WRS-04								
ZD0800WRS-05								
ZD0800WRS-06	16	/	7.50	20.50	16.40	3500	11R	38.5K
ZD0800WRS-07								
ZD0800WRS-08								
ZD0800WRS-09								
ZD0800WRS-10								
ZD0800WRS-11								
ZD0800WRS-12	24	/	11.50	28.50	24.40	3500	8R	28K
ZD0800WRS-13								
ZD0800WRS-14								
ZD0800WRS-15								
ZD0800WRS-16								
ZD0800WRS-17	32	28.4	14.20	36.50	32.40	3500	6R	21K
ZD0800WRS-18								
ZD0800WRS-19								
ZD0800WRS-20								

DATE	OLD REV	NEW REV	ECN	DESCRIPTION	CHECK	APPROVAL	PROJECT	APPROVAL	CHECK	DRAWN	DATA	UNIT	SCALE	NUMBER	REV
2019/03/09				ER20190309001为卷盘产品使用纸箱的统一性,修改纸箱尺寸	Joshua	Smrk						mm	1:1	A-106	C
2016/01/31				修改8P和16P载带宽度	sylvia	Jova Lau									

东莞市思索连接器有限公司
SWB CONNECTORS CO.,LTD

PART NO. PPN: 0800WRS-XX-XXXX
CTN: ZD0800WRS-XX

TITLE
0.80mm Connectors SMT 90° Package

APPROVAL: Robing, Robing, Allen, 2013/12/09