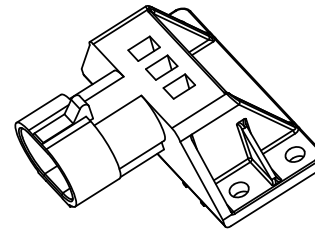
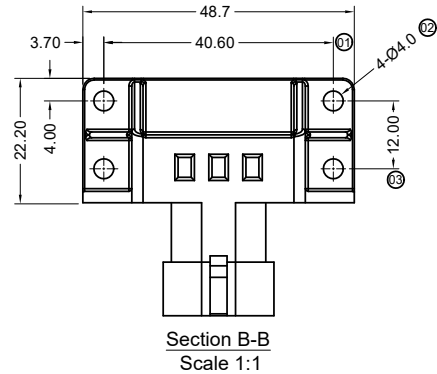


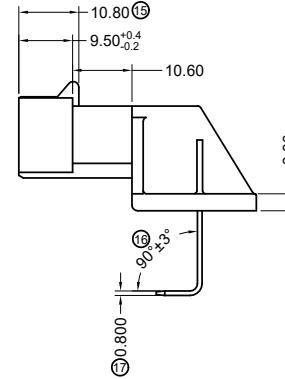
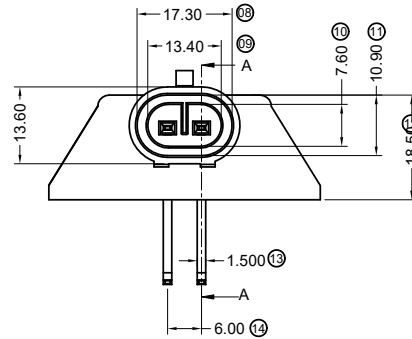
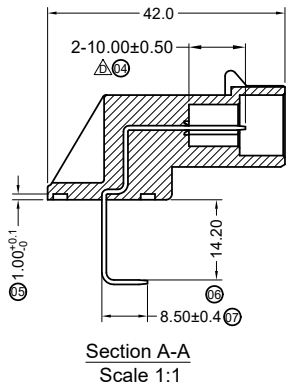
RoHS

This products can apply to the SWB Doc NO. QA-3-04-005 of Environmental&Material Management Rules



■ Specifications :

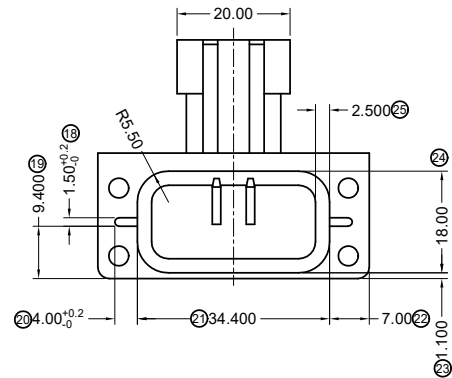
- Voltage rating: 24V AC / DC
- Current rating: 10A AC / DC
- Withstanding voltage: 1,500V AC/minute
- Temperature range: -25°C~+85°C
- Insulation resistance: ≥500MΩ
- Contact resistance: ≤10mΩ
- After environmental testing: ≤20mΩ
- Material(Pin): Brass
- Finish(Pin): Matte Tin Plating



6003 H F -02 -N0 XX

① ② ③ ④ ⑤ ⑥

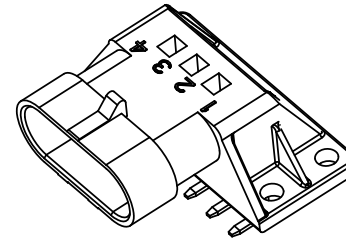
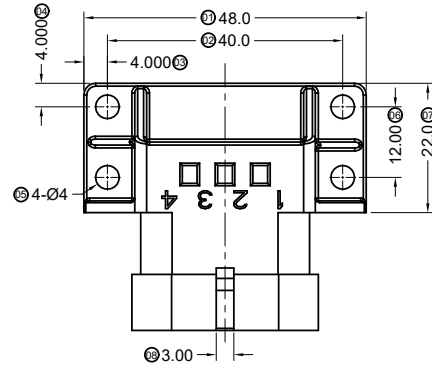
- ① Series No
- ② Category: H-HSG
- ③ Welding Board Angle:  
F-Female housing
- ④ Row No.-Pin No.: 02-02P
- ⑤ Material: N0-PA66 94V-0
- ⑥ Color : None-Black Color



2020/03/31	E	EN20200331001	Update Drawing Frame, The Same ECR And ECN NO	Zeng	Robing	<p>GENERAL TOLERANCE</p> <p>.X ±0.30</p> <p>.XX ±0.20</p> <p>.XXX ±0.10</p> <p>X° ±2°</p> <p>PROJECT</p>	<p>东莞市思索连接器有限公司</p> <p>SWB CONNECTORS CO.,LTD</p>				PART NO.				
2017-11-13	D	EN20171113001	Modify the size in kind	Yu wei	Jacky						6003HF-02-N0				
2016-09-05	C		According to the physical changes size	Joshua	Joshua		APPROVAL	CHECK	DRAWN	DATE	TITLE				
DATE	REV	ECN NO	DESCRIPTION	MODIFY	APPROVAL		Smak	Joshua	LZX	2016/06/22	6.00mm Pump Superseal Ass Connector				
											UNIT	SCALE	SHEET	REV	NUMBER
										mm	1:1	1/1	E	A-000	

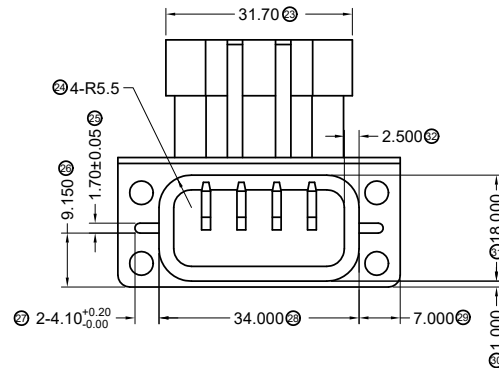
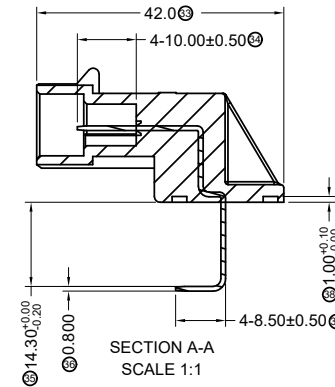
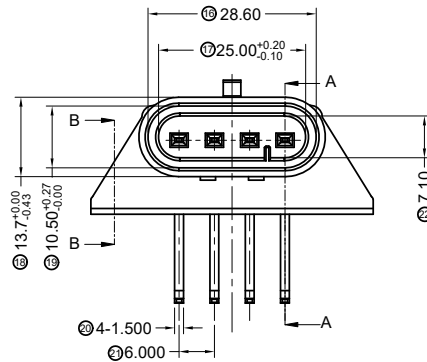
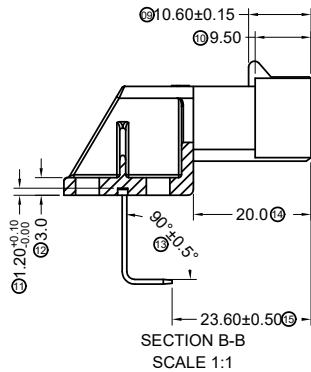
RoHS

This products can apply to the SWB Doc NO. QA-3-04-005 of Environmental&Material Management Rules



Specifications :

- Voltage rating: 24V AC / DC
- Current rating: 10A AC / DC
- Withstanding voltage: 1,500V AC/minute
- Temperature range: -25°C~+85°C
- Insulation resistance: ≥500MΩ
- Contact resistance: ≤10mΩ
- After environmental testing: ≤20mΩ
- Material(Pin): Brass
- Finish(Pin): Matte Tin Plating



6003 H F-04 XX-N0 HF BK T  
① ② ③ ④ ⑤ ⑥ ⑦ ⑧ ⑨

- ① Series No
- ② Category: H-HSG
- ③ Welding Board Angle:  
F-Female housing
- ④ Row No.-Pin No.: 04-04P
- ⑤ Plug the Pin & special No.:
- ⑥ Material: N0-PA66 94V-0
- ⑦ HF-Halogen free
- ⑧ Color : BK-Black
- ⑨ Packing Form: T- Tray



						<p>GENERAL TOLERANCE</p> <p>.X ±0.30</p> <p>.XX ±0.20</p> <p>.XXX ±0.10</p> <p>X° ±2°</p>				<p>东莞市思索连接器有限公司</p> <p>SWB CONNECTORS CO.,LTD</p>				<p>PART NO.</p> <p>6003HF-04-N0HFBKT</p>																			
						<p>APPROVAL</p> <p>Smak</p>				<p>CHECK</p> <p>Joshua</p>				<p>DRAWN</p> <p>Yu wei</p>				<p>DATE</p> <p>2017/08/25</p>				<p>TITLE</p> <p>6.00mm PUMP SUPERSEAL ASS Connector</p>											
2020/03/31	B	EN20200331001	Update Drawing Frame	Zeng	Robing																												
DATE	REV	ECN NO	DESCRIPTION	MODIFY	APPROVAL																												
						<p>PROJECT</p> <p>① ②</p>																											
														<p>UNIT</p> <p>mm</p>				<p>SCALE</p> <p>1:1</p>				<p>SHEET</p> <p>1/1</p>				<p>REV</p> <p>B</p>				<p>NUMBER</p> <p>A-000</p>			