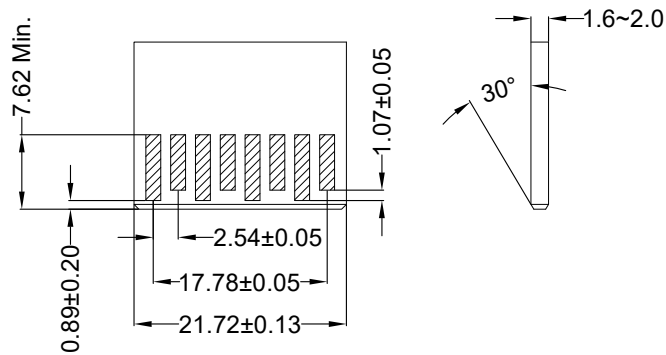
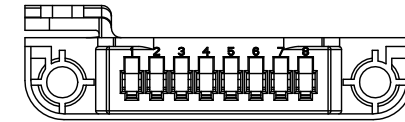
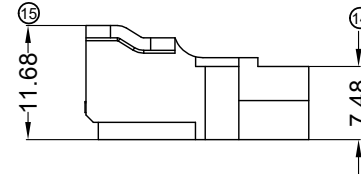
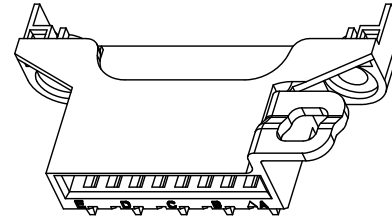
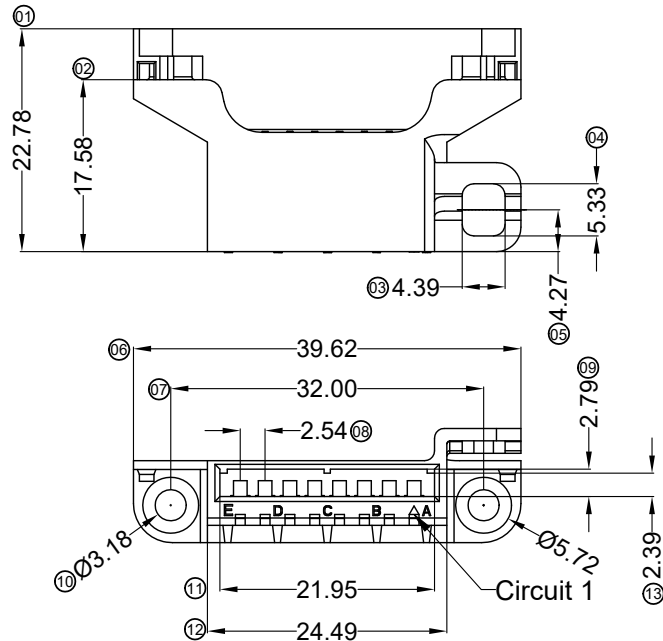


RoHS

This products can apply to the SWB Doc NO. QA-3-04-005 of Environmental&Material Management Rules



PCB LAYOUT CONTACT SIDE (THIN CARD)

2546 H X-08 X-4T BK

- ①
- ②
- ③
- ④
- ⑤
- ⑥
- ⑦

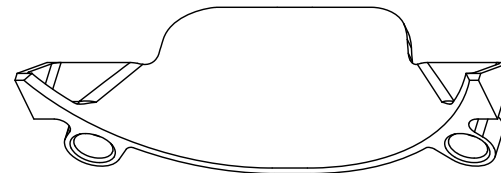
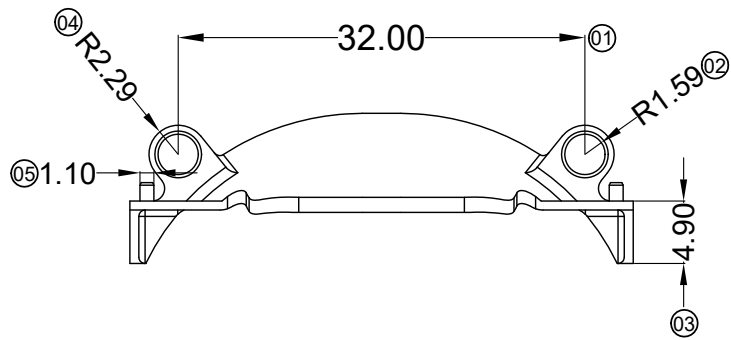
- ① Series No.
- ② Category: H-HSG
- ③ Appearance type: Blank-Ordinary
- ④ Row No.-Pin No.: 08-08P
- ⑤ Special No.: Blank-Ordinary
- ⑥ Material : 4T-PA4T 94V-0
- ⑦ Color : BK-Black

2546H-08-4TBK	PA4T UL 94V-0	2546T	PCB BOARD 1.6~2.0MM
PART NO	Material	Mates With SWB Terminal	Mates With PCB Board

					GENERAL TOLERANCE .X ±0.30 .XX ±0.20 .XXX ±0.10 X.° ±2° PROJECT 				东莞市思索连接器有限公司 SWB CONNECTORS CO.,LTD PART NO. 2546H-08-4TBK TITLE Edge Card Connector For Fan Molde					
DATE	REV	ECN NO.	DESCRIPTION	MODIFY	APPROVAL	APPROVAL	CHECK	DRAWN	DATE	UNIT	SCALE	SHEET	REV	NUMBER
						LYL	Tang	Joshua	2016/11/24	mm	1:1	1/1	A	A-000

RoHS

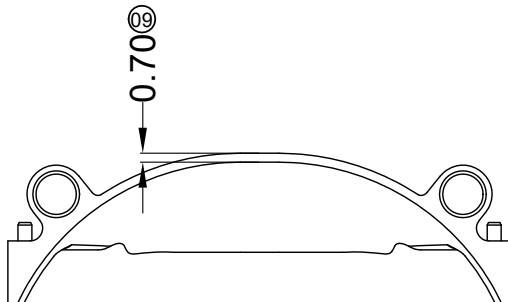
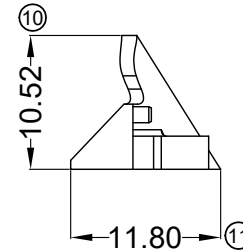
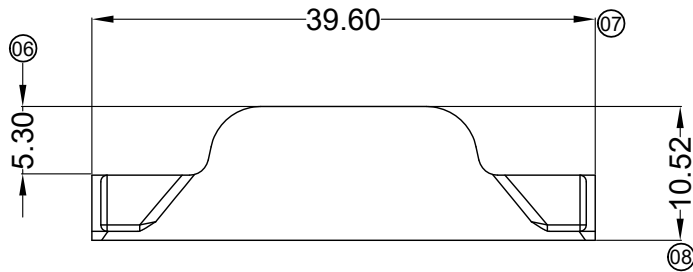
This products can apply to the SWB Doc NO. QA-3-04-005 of Environmental&Material Management Rules



**C 2546 X -AP BK**

- ①
- ②
- ③
- ④
- ⑤

- ① Category: C-CAP
- ② Series No.: 2546
- ③ Special No.:
- ④ Material: AP-ABS+PC 94V-0
- ⑤ Color: BK-Black



C2546-APBK	ABS+PC UL 94V-0 Color : Black	2546H-08-4TBK
PART NO	Material	Mates With PCB Modle

					<p>GENERAL TOLERANCE</p> <p>.X ±0.30</p> <p>.XX ±0.20</p> <p>.XXX ±0.10</p> <p>X.° ±2°</p>				<p>东莞市思索连接器有限公司</p> <p>SWB CONNECTORS CO.,LTD</p>				PART NO. C2546-APBK												
					<p>APPROVAL</p> <p>LYL</p>				<p>CHECK</p> <p>Tang</p>				<p>DRAWN</p> <p>Joshua</p>				<p>DATE</p> <p>2016/11/24</p>				TITLE Edge Card Connector For Fan Cover				
DATE	REV	ECN NO.	DESCRIPTION	MODIFY	APPROVAL	PROJECT					UNIT	SCALE	SHEET	REV	NUMBER										
1		2									mm	1:1	1/1	A	A-000										