

RoHS

This products can apply to the SWB Doc NO. QA-3-04-005 of Environmental&Material Management Rules

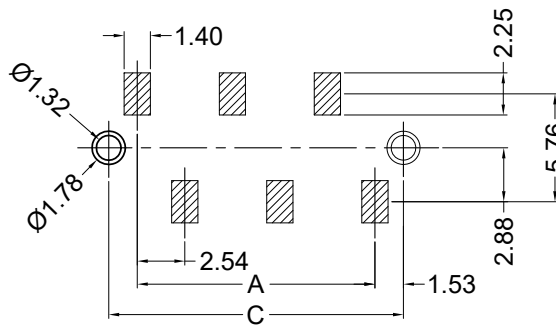
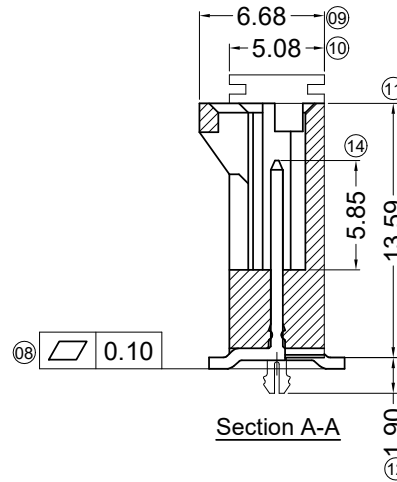
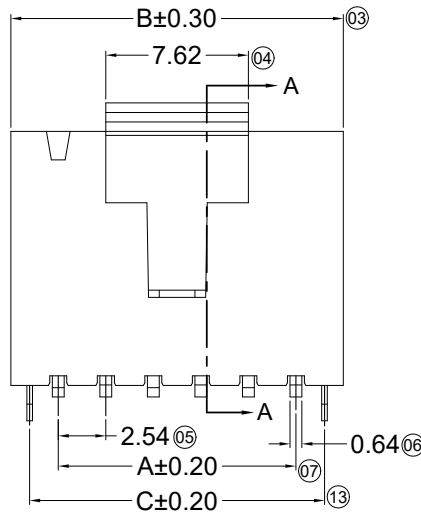
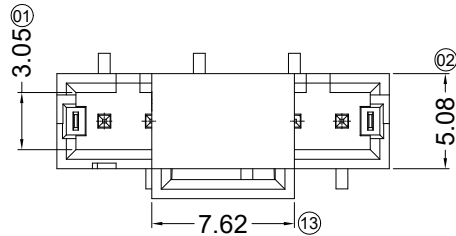


■ Specifications :

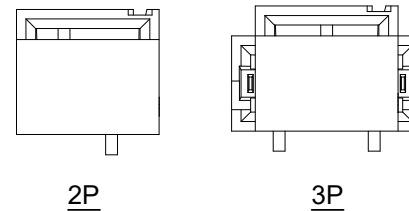
- Voltage rating: 250V AC / DC
- Current rating: 3A AC / DC
- Withstanding voltage: 600V AC/minute
- Temperature range: -40°C~+105°C
- Insulation resistance: ≥1000MΩ
- Contact resistance: ≤15mΩ
- After environmental testing: ≤30mΩ
- Material(Pin): Brass
- Material(Solder tab): Phosphor Bronze
- Mates With SWB Housing 2545H

2545 W V S - XX - 4T XXX XX
 ① ② ③ ④ ⑤ ⑥ ⑦ ⑧

- ① Series No.
- ② Category: W-WAFER
- ③ Connector type: V-180°
- ④ Mouting type: S-SMT
- ⑤ Row No.-Pin No.: XX-02P~20P
- ⑥ Material: 4T -PA4T UL 94V-0
- ⑦ Plating Category:
 SW -Matte Tin100u"Min. ; Ni 50u" Min. Overall
 G30- Contact Area Au 30u" Min.
 Solder Area Matte Tin 100u" Min. ; Ni 50u" Min.Overall
- ⑧ Color : Blank-Black Color



Recommended P.C.B Layout
 General Tolerance±0.05



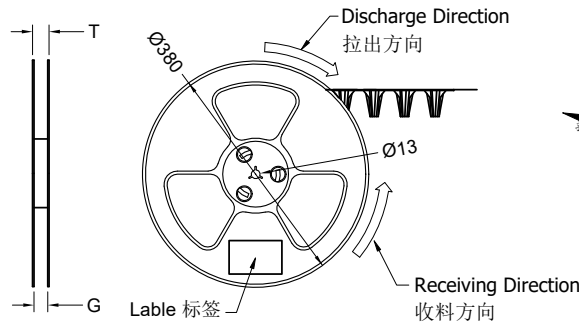
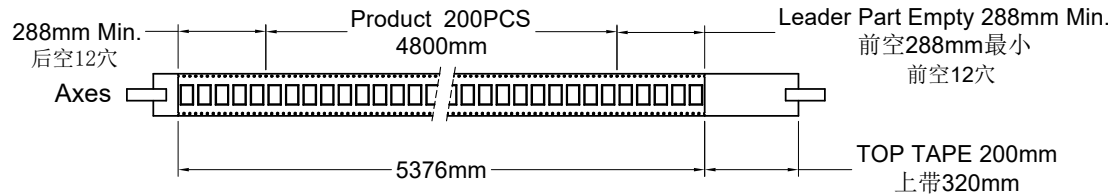
Poles	Dimensions (mm)			Poles	Dimensions (mm)		
	A	B	C		A	B	C
02	2.54	7.62	5.60	12	27.94	33.02	31.00
03	5.08	10.16	8.14	13	30.48	35.56	33.54
04	7.62	12.70	10.68	14	33.02	38.10	36.08
05	10.16	15.24	13.22	15	35.56	40.64	38.62
06	12.70	17.78	15.76	16	38.10	43.18	41.16
07	15.24	20.32	18.30	17	40.64	45.72	43.70
08	17.78	22.86	20.84	18	43.18	48.26	46.24
09	20.32	25.40	23.38	19	45.72	50.80	48.78
10	22.86	27.94	25.92	20	48.26	53.34	51.32
11	25.40	30.48	28.46				

					GENERAL TOLERANCE .X ±0.30 .XX ±0.20 .XXX ±0.10 X.° ±2° PROJECT 				东莞市思索连接器有限公司 SWB CONNECTORS CO.,LTD APPROVAL CHECK DRAWN DATE Joshua 2017/09/08				PART NO. 2545WVS-XX-4TXXXXX TITLE 2.54mm Crimp Style Connector				
2020-06-01	B		Update Drawing Frame	Mali	Joshua					UNIT	SCALE	SHEET	REV	NUMBER			
DATE	REV	ECN NO.	DESCRIPTION	MODIFY	APPROVAL					mm	1:1	1/1	B	A-000			

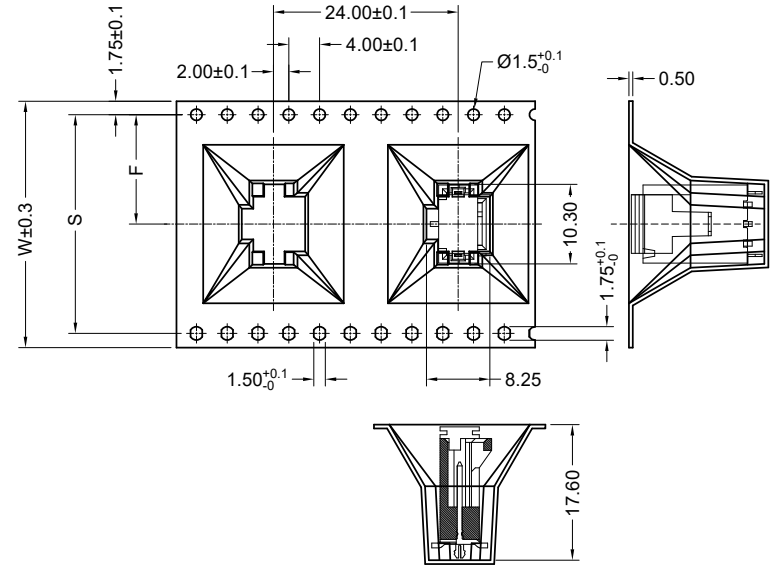
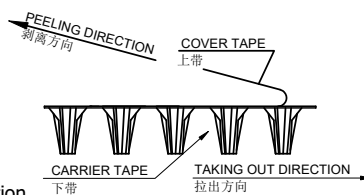
RoHS

本产品符合我司QA-3-04-005
环境管理物质标准规范

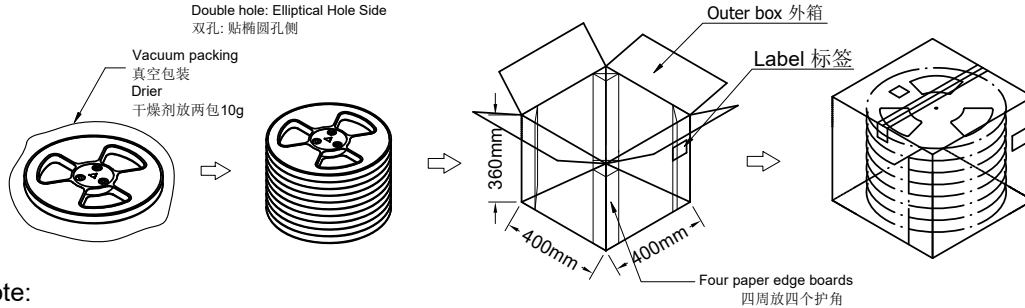
包装图



COVER TAPE PEEL STRENGTH:20~120g
上带剥离力量: 20~120g
速度 PEEL SPEED:300mm/minute



WIDTH=32mm



Note:

- Carrier Camber Is Within 1mm In 100mm ; 带长100mm内容许弯曲度1mm
- 10 Sprocket Hole Pitch Cumulative Tolerance±0.2MM ; 圆孔十个孔距离累计允许公差为±0.2mm
- Materiaal for PS ; 材质为PS材质; Color颜色:Nature本色
- bracer保护带: Color颜色:Nature本色;厚度0.40mm最小
- Thinkess=0.50±0.05 ; 材料厚度为0.50±0.05mm
- Cover Tape上带: 冷封
- Carton material纸箱材质:K=K; Carton Thickness纸箱厚度: 6~7mm

2545WVS-XX-4TXXXXX	Pin No.	W	S	F	T	G	Cover Tape(W) 上带(宽度)	Carrier Tape(Color) 下带(颜色)	REEL /PCS 卷/PCS	CARTON /R 箱/卷	CARTON /PCS 箱/PCS
	ZD2545WVS-03HF	32	28.4	14.2	36.5	32.5	25.5	透明色	200	9R	1800

一般公差
.X ±0.35
.XX ±0.25
.XXX ±0.15
X° ±0.2°



东莞市思索连接器有限公司

SWB CONNECTORS CO.,LTD

料号: PPN: 2545WVS-XX-4TXXXXX
CTN: ZD2545WVS-XXHF

名称: 2.54mm Crimp Style Connector Package

核 准	审 查	制 作	日 期
		Savvy	2017/10/25

单位	比例	页次	版本	编号
mm	1:1	1/1	A	A-203

日期	版次	变更编号	变更内容说明	变更人	核 准
----	----	------	--------	-----	-----